
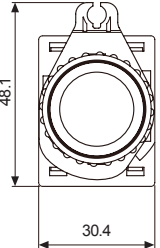
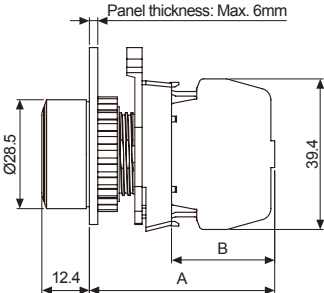

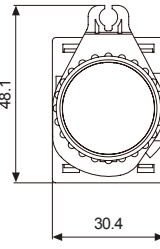
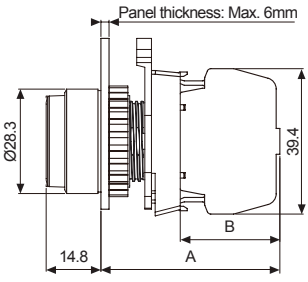


Ø22/25 Round Push Button Switches (S2PR Series)

Type	Appearance	Model	Contact block		LED block										
			A contact	B contact	AC/DC voltage	AC voltage									
Extended	 <p>S2PR-P1Y□</p>	S2PR-P1 □A(M)	1EA	—	—	—									
		S2PR-P1 □2A(M)	2EA	—											
		S2PR-P1 □3A(M)	3EA	—											
		S2PR-P1 □B(M)	—	1EA											
		S2PR-P1 □2B(M)	—	2EA											
		S2PR-P1 □3B(M)	—	3EA											
		S2PR-P1 □AB(M)	1EA	1EA											
		S2PR-P1 □2AB(M)	2EA	1EA											
		S2PR-P1 □A2B(M)	1EA	2EA											
		<p>※□ indicates color: R (red), B (blue), G (green), Y (yellow), K (black) ※The (M) in the model name indicates modular type contacts. Models without (M) are singular types. ※The control unit and contact blocks are sold separately. (control unit: bold letters, contact block: regular letters) ※Waterproof cap available (SA-WP)</p> <p>• Dimensions (unit: mm)</p> <div style="display: flex; justify-content: space-around;">   <table border="1" style="margin-left: auto;"> <thead> <tr> <th></th> <th>A</th> <th>B</th> </tr> </thead> <tbody> <tr> <td>Singular type contact</td> <td>48.5</td> <td>27.0</td> </tr> <tr> <td>Modular type contact</td> <td>46.5</td> <td>25.0</td> </tr> </tbody> </table> </div> <p style="text-align: right;">※For panel cut-out dimensions, please refer to page A-36.</p>								A	B	Singular type contact	48.5	27.0	Modular type contact
	A	B													
Singular type contact	48.5	27.0													
Modular type contact	46.5	25.0													
Extended button	 <p>S2PR-E1G□</p>	S2PR-E1 □A(M)	1EA	—	—	—									
		S2PR-E1 □2A(M)	2EA	—											
S2PR-E1 □3A(M)	3EA	—													
S2PR-E1 □B(M)	—	1EA													
S2PR-E1 □2B(M)	—	2EA													
S2PR-E1 □3B(M)	—	3EA													
S2PR-E1 □AB(M)	1EA	1EA													
S2PR-E1 □2AB(M)	2EA	1EA													
S2PR-E1 □A2B(M)	1EA	2EA													
<p>※□ indicates color: R (red), B (blue), G (green), Y (yellow), K (black) ※The (M) in the model name indicates modular type contacts. Models without (M) are singular types. ※The control unit and contact blocks are sold separately. (control unit: bold letters, contact block: regular letters)</p> <p>• Dimensions (unit: mm)</p> <div style="display: flex; justify-content: space-around;">   <table border="1" style="margin-left: auto;"> <thead> <tr> <th></th> <th>A</th> <th>B</th> </tr> </thead> <tbody> <tr> <td>Singular type contact</td> <td>48.5</td> <td>27.0</td> </tr> <tr> <td>Modular type contact</td> <td>46.5</td> <td>25.0</td> </tr> </tbody> </table> </div> <p style="text-align: right;">※For panel cut-out dimensions, please refer to page A-36.</p>								A	B	Singular type contact	48.5	27.0	Modular type contact	46.5	25.0
	A	B													
Singular type contact	48.5	27.0													
Modular type contact	46.5	25.0													



Ø22/25 Round Push Button Switches

Control Switches

Ø22/25

Ø30

□30

Round Push Button Switches

Square Push Button Switches

Selector Switches

Key Selector Switches

Double Push Button Switches

Mushroom-head Push Button Switches

Emergency Switches

Pilot Lights

Accessories

Buzzers

Modular Terminal Blocks

TUM(Spring Type)

TUW1(Dual Spring Type)

TM(Manual Type)

I/O Terminal Blocks

AFS(Interface Terminal Block)

AFJ/AFR(Interface Terminal Block)

ACS(Common Terminal Block)

AFE(Sensor Connector Terminal Block)

ABS(Relay Terminal Block)

ABL(Relay Terminal Block)

Power Relay

I/O Cables

MITUBISHI

LSIS

Autonics

RS Automation

YOKOGAWA

FUJI

KDT

OMRON

TELEMECANIQUE

For SERVO

Open Type Cables

Cable Appearance

Remote I/O Terminal Blocks

ARD(DeviceNet Digital Standard Terminal Type)

ARD(DeviceNet Digital Sensor Connector Type)

ARD(DeviceNet Analog Standard Terminal Type)

ARM(Modbus Digital Sensor Connector Type)

Others

Sensor Connectors

Sockets



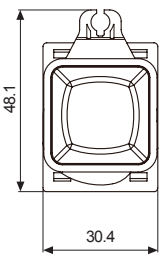
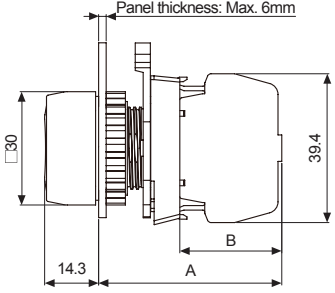
Sensor Distribution Boxes

Valve Plugs

Thumbwheel Switches

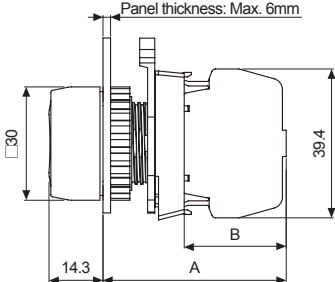
Type	Appearance	Model	Contact block		LED block										
			A contact	B contact	AC/DC voltage	AC voltage									
Extended (illuminated)	 <p>S2PR-P3Y□</p>  <p>S2PRU-P3Y□</p> 	S2PR(U)-P3□AD(M)	1EA	—	1EA	—									
		S2PR(U)-P3□2AD(M)	2EA	—											
		S2PR(U)-P3□BD(M)	—	1EA											
		S2PR(U)-P3□2BD(M)	—	2EA											
		S2PR(U)-P3□ABD(M)	1EA	1EA	—	1EA									
		S2PR(U)-P3□AL(M)	1EA	—											
		S2PR(U)-P3□2AL(M)	2EA	—											
		S2PR(U)-P3□BL(M)	—	1EA											
		S2PR(U)-P3□2BL(M)	—	2EA											
		S2PR(U)-P3□ABL(M)	1EA	1EA											
<p>※□ indicates color: R (red), B (blue), G (green), Y (yellow), W (white) ※Models without 'U' in the model name contain "Push" markings on the button cap. ※The (M) in the model name indicates modular type contacts. Models without (M) are singular types. ※The control unit, contact blocks, LED blocks are sold separately. (control unit: bold letters, contact and LED block: regular letters) ※The LED color is the same as the control unit. ※Waterproof cap available (SA-WL)</p> <p>• Dimensions</p> <div style="display: flex; justify-content: space-around;"> <div style="text-align: center;">  <p>48.1 30.4</p> </div> <div style="text-align: center;">  <p>Panel thickness: Max. 6mm Ø28.5 14.7 39.4 A B</p> </div> <div style="text-align: center;"> <table border="1"> <tr> <td></td> <td>A</td> <td>B</td> </tr> <tr> <td>Singular type contact</td> <td>48.5</td> <td>27.0</td> </tr> <tr> <td>Modular type contact</td> <td>46.5</td> <td>25.0</td> </tr> </table> </div> </div> <p>※For panel cut-out dimensions, please refer to page A-36.</p>								A	B	Singular type contact	48.5	27.0	Modular type contact	46.5	25.0
	A	B													
Singular type contact	48.5	27.0													
Modular type contact	46.5	25.0													
Extended button (illuminated)	 <p>S2PR-E3W□</p>  <p>S2PRU-E3W□</p> 	S2PR(U)-E3□AD(M)	1EA	—	1EA	—									
		S2PR(U)-E3□2AD(M)	2EA	—											
		S2PR(U)-E3□BD(M)	—	1EA											
		S2PR(U)-E3□2BD(M)	—	2EA											
		S2PR(U)-E3□ABD(M)	1EA	1EA	—	1EA									
		S2PR(U)-E3□AL(M)	1EA	—											
		S2PR(U)-E3□2AL(M)	2EA	—											
		S2PR(U)-E3□BL(M)	—	1EA											
		S2PR(U)-E3□2BL(M)	—	2EA											
		S2PR(U)-E3□ABL(M)	1EA	1EA											
<p>※□ indicates color: R (red), B (blue), G (green), Y (yellow), W (white) ※Models without 'U' in the model name contain "Push" markings on the button cap. ※The (M) in the model name indicates modular type contacts. Models without (M) are singular types. ※The control unit, contact blocks, LED blocks are sold separately. (control unit: bold letters, contact and LED block: regular letters) ※The LED color is the same as the control unit.</p> <p>• Dimensions</p> <div style="display: flex; justify-content: space-around;"> <div style="text-align: center;">  <p>48.1 30.4</p> </div> <div style="text-align: center;">  <p>Panel thickness: Max. 6mm Ø28.3 14.8 39.4 A B</p> </div> <div style="text-align: center;"> <table border="1"> <tr> <td></td> <td>A</td> <td>B</td> </tr> <tr> <td>Singular type contact</td> <td>48.5</td> <td>27.0</td> </tr> <tr> <td>Modular type contact</td> <td>46.5</td> <td>25.0</td> </tr> </table> </div> </div> <p>※For panel cut-out dimensions, please refer to page A-36.</p>								A	B	Singular type contact	48.5	27.0	Modular type contact	46.5	25.0
	A	B													
Singular type contact	48.5	27.0													
Modular type contact	46.5	25.0													

Ø22/25 Square Push Button Switches (S2PRS Series)

Type	Appearance	Model	Contact block		LED block										
			A contact	B contact	AC/DC voltage	AC voltage									
Extended	 <p>S2PRS-P1B□</p> 	S2PRS-P1 □A(M)	1EA	—	—	—									
		S2PRS-P1 □2A(M)	2EA	—											
		S2PRS-P1 □3A(M)	3EA	—											
		S2PRS-P1 □B(M)	—	1EA											
		S2PRS-P1 □2B(M)	—	2EA											
		S2PRS-P1 □3B(M)	—	3EA											
		S2PRS-P1 □AB(M)	1EA	1EA											
		S2PRS-P1 □2AB(M)	2EA	1EA											
		S2PRS-P1 □A2B(M)	1EA	2EA											
<p>※□ indicates color: R (red), B (blue), G (green), Y (yellow), K (black)</p> <p>※The (M) in the model name indicates modular type contacts. Models without (M) are singular types.</p> <p>※The control unit and contact blocks are sold separately. (control unit: bold letters, contact block: regular letters)</p>															
<p>• Dimensions (unit: mm)</p> <div style="display: flex; align-items: center;">   <table border="1" style="margin-left: 20px;"> <thead> <tr> <th></th> <th>A</th> <th>B</th> </tr> </thead> <tbody> <tr> <td>Singular type contact</td> <td>48.5</td> <td>27.0</td> </tr> <tr> <td>Modular type contact</td> <td>46.5</td> <td>25.0</td> </tr> </tbody> </table> </div> <p style="text-align: center;">※For panel cut-out dimensions, please refer to page A-36.</p>								A	B	Singular type contact	48.5	27.0	Modular type contact	46.5	25.0
	A	B													
Singular type contact	48.5	27.0													
Modular type contact	46.5	25.0													


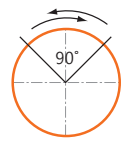
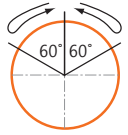
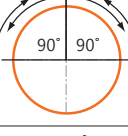
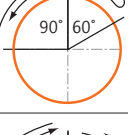
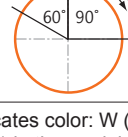
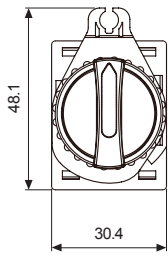
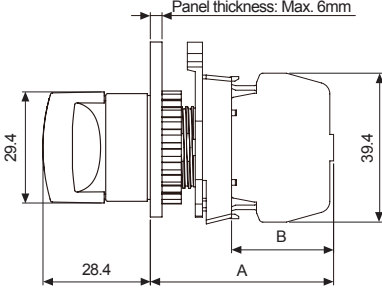



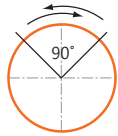
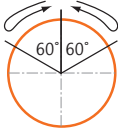
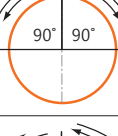
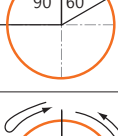
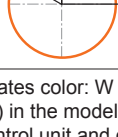
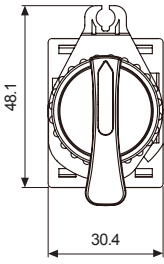
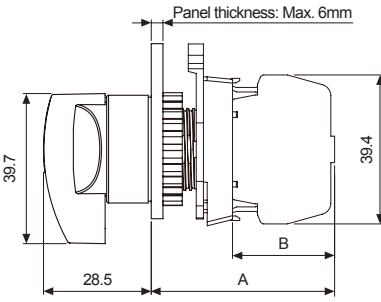
Ø22/25 Square Push Button Switches

Type	Appearance	Model	Contact block		LED block												
			A contact	B contact	AC/DC voltage	AC voltage											
Extended (illuminated)	 S2PRS-P3R□  S2PRS-P3□  S2PRS-U-P3R□  	Standard	S2PRS(U)-P3□AD(M)	1EA	—	1EA	—										
			S2PRS(U)-P3□2AD(M)	2EA	—												
			S2PRS(U)-P3□BD(M)	—	1EA												
			S2PRS(U)-P3□2BD(M)	—	2EA												
			S2PRS(U)-P3□ABD(M)	1EA	1EA												
			S2PRS(U)-P3□AL(M)	1EA	—			—	1EA								
			S2PRS(U)-P3□2AL(M)	2EA	—												
			S2PRS(U)-P3□BL(M)	—	1EA												
			S2PRS(U)-P3□2BL(M)	—	2EA												
		S2PRS(U)-P3□ABL(M)	1EA	1EA													
		Arrows (Left/Right)	S2PRS-P3□LAD(M)	1EA	—	1EA	—										
			S2PRS-P3□L2AD(M)	2EA	—												
			S2PRS-P3□LBD(M)	—	1EA												
			S2PRS-P3□L2BD(M)	—	2EA												
			S2PRS-P3□LABD(M)	1EA	1EA												
			S2PRS-P3□LAL(M)	1EA	—			—	1EA								
			S2PRS-P3□L2AL(M)	2EA	—												
			S2PRS-P3□LBL(M)	—	1EA												
			S2PRS-P3□L2BL(M)	—	2EA												
		S2PRS-P3□LABL(M)	1EA	1EA													
		Arrows (Up/Down)	S2PRS-P3□UAD(M)	1EA	—	1EA	—										
			S2PRS-P3□U2AD(M)	2EA	—												
			S2PRS-P3□UBD(M)	—	1EA												
			S2PRS-P3□U2BD(M)	—	2EA												
			S2PRS-P3□UABD(M)	1EA	1EA												
			S2PRS-P3□UAL(M)	1EA	—			—	1EA								
			S2PRS-P3□U2AL(M)	2EA	—												
			S2PRS-P3□UBL(M)	—	1EA												
			S2PRS-P3□U2BL(M)	—	2EA												
		S2PRS-P3□UABL(M)	1EA	1EA													
		※□ indicates color: R (red), B (blue), G (green), Y (yellow), W (white) ※Models without 'U' in the model name contain "Push" markings on the button cap. ※The (M) in the model name indicates modular type contacts. Models without (M) are singular types. ※The control unit, contact blocks, LED blocks are sold separately. (control unit: bold letters, contact and LED block: regular letters) ※The LED color is the same as the control unit.															
		• Dimensions (unit: mm)															
																	
					<table border="1"> <thead> <tr> <th></th> <th>A</th> <th>B</th> </tr> </thead> <tbody> <tr> <td>Singular type contact</td> <td>48.5</td> <td>27.0</td> </tr> <tr> <td>Modular type contact</td> <td>46.5</td> <td>25.0</td> </tr> </tbody> </table>					A	B	Singular type contact	48.5	27.0	Modular type contact	46.5	25.0
			A	B													
		Singular type contact	48.5	27.0													
Modular type contact	46.5	25.0															
※For panel cut-out dimensions, please refer to page A-36.																	


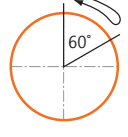
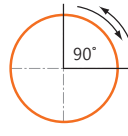
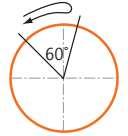
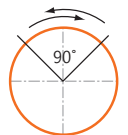
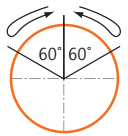
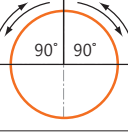
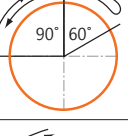
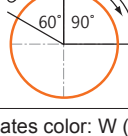
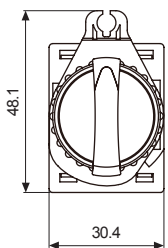
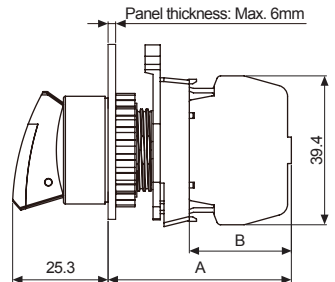
Control Switches	
Ø22/25	
Ø30	
□30	
Round Push Button Switches	
Square Push Button Switches	
Selector Switches	
Key Selector Switches	
Double Push Button Switches	
Mushroom-head Push Button Switches	
Emergency Switches	
Pilot Lights	
Accessories	
B buzzers	
Modular Terminal Blocks	
TUM(Spring Type)	
TUV1(Dual Spring Type)	
TM(Manual Type)	
I/O Terminal Blocks	
AFS(Interface Terminal Block)	
AFL/AFR(Interface Terminal Block)	
ACS(Common Terminal Block)	
AFE(Sensor Connector Terminal Block)	
ABS(Relay Terminal Block)	
ABL(Relay Terminal Block)	
Power Relay	
I/O Cables	
MITUBISHI	
LSIS	
Autonics	
RS Automation	
YOKOGAWA	
FUJI	
KDT	
OMRON	
TELEMECANIQUE	
For SERVO	
Open Type Cables	
Cable Appearance	
Remote I/O Terminal Blocks	
ARD(DeviceNet Digital Standard Terminal Type)	
ARD(DeviceNet Digital Sensor Connector Type)	
ARD(DeviceNet Analog Standard Terminal Type)	
ARM(Modbus Digital Sensor Connector Type)	
Others	
Sensor Connectors	
Sockets	
Sensor Distribution Boxes	
Valve Plugs	
Thumbwheel Switches	


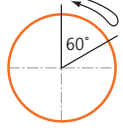
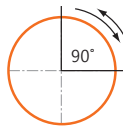
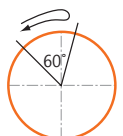
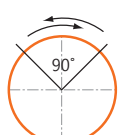
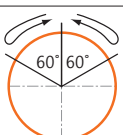
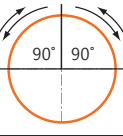
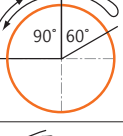
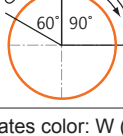
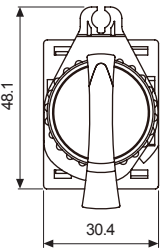
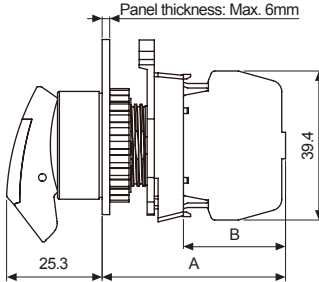
Ø22/25 Standard Lever Selector Switches (S2SR Series)

Type	Appearance	Operating position		Model	Contact block		LED block														
					A contact	B contact	AC/DC voltage	AC voltage													
Standard short lever, extended	 <p>S2SR-S1R□</p>	2-position, maintained		S2SR-S3□A(M)	1EA	—	—	—													
				S2SR-S3□2A(M)	2EA	—															
				S2SR-S3□B(M)	—	1EA															
				S2SR-S3□2B(M)	—	2EA															
				S2SR-S3□AB(M)	1EA	1EA															
		3-position, spring return two-way		S2SR-S5□2A(M)	2EA	—															
				S2SR-S5□2B(M)	—	2EA															
				S2SR-S5□AB(M)	1EA	1EA															
		3-position, maintained		S2SR-S7□2A(M)	2EA	—															
				S2SR-S7□2B(M)	—	2EA															
				S2SR-S7□AB(M)	1EA	1EA															
		3-position, spring return from right		S2SR-SA□2A(M)	2EA	—															
				S2SR-SA□2B(M)	—	2EA															
				S2SR-SA□AB(M)	1EA	1EA															
		3-position, spring return from left		S2SR-SC□2A(M)	2EA	—															
				S2SR-SC□2B(M)	—	2EA															
				S2SR-SC□AB(M)	1EA	1EA															
		<p>※□ indicates color: W (white), R (red) ※The (M) in the model name indicates modular type contacts. Models without (M) are singular types. ※The control unit and contact blocks are sold separately. (control unit: bold letters, contact block: regular letters) ※Connect up to 2 contact blocks. Connect the contact blocks only on the side slots. It will not operate if connected to the center slot.</p>																			
		<p>• Dimensions (unit: mm)</p> <div style="display: flex; justify-content: space-around; align-items: flex-start;"> <div style="text-align: center;">  <p>48.1 30.4</p> </div> <div style="text-align: center;">  <p>Panel thickness: Max. 6mm 29.4 28.4 39.4 A B</p> </div> <div style="border: 1px solid black; padding: 5px;"> <table border="1"> <thead> <tr> <th></th> <th>A</th> <th>B</th> </tr> </thead> <tbody> <tr> <td>Singular type contact</td> <td>48.5</td> <td>27.0</td> </tr> <tr> <td>Modular type contact</td> <td>46.5</td> <td>25.0</td> </tr> </tbody> </table> </div> </div> <p style="text-align: right;">※For panel cut-out dimensions, please refer to page A-36.</p>										A	B	Singular type contact	48.5	27.0	Modular type contact	46.5	25.0		
			A	B																	
Singular type contact	48.5	27.0																			
Modular type contact	46.5	25.0																			

Type	Appearance	Operating position	Model	Contact block		LED block										
				A contact	B contact	AC/DC voltage	AC voltage									
Standard long lever, extended	 <p>S2SR-S2W□</p>	2-position, maintained	 S2SR-S4 □A(M)	1EA	—	—	—									
			S2SR-S4 □2A(M)	2EA	—											
			S2SR-S4 □B(M)	—	1EA											
			S2SR-S4 □2B(M)	—	2EA											
			S2SR-S4 □AB(M)	1EA	1EA											
		3-position, spring return two-way		S2SR-S6 □2A(M)	2EA			—								
				S2SR-S6 □2B(M)	—			2EA								
				S2SR-S6 □AB(M)	1EA			1EA								
		3-position, maintained		S2SR-S8 □2A(M)	2EA			—								
				S2SR-S8 □2B(M)	—			2EA								
				S2SR-S8 □AB(M)	1EA			1EA								
		3-position, spring return from right		S2SR-SB □2A(M)	2EA			—								
				S2SR-SB □2B(M)	—			2EA								
				S2SR-SB □AB(M)	1EA			1EA								
		3-position, spring return from left		S2SR-SD □2A(M)	2EA			—								
S2SR-SD □2B(M)	—			2EA												
S2SR-SD □AB(M)	1EA			1EA												
<p>※□ indicates color: W (white), R (red)</p> <p>※The (M) in the model name indicates modular type contacts. Models without (M) are singular types.</p> <p>※The control unit and contact blocks are sold separately. (control unit: bold letters, contact block: regular letters)</p> <p>※Connect up to 2 contact blocks. Connect the contact blocks only on the side slots. It will not operate if connected to the center slot.</p> <p>• Dimensions (unit: mm)</p> <div style="display: flex; justify-content: space-around; align-items: flex-start;"> <div style="text-align: center;">  <p>48.1</p> <p>30.4</p> </div> <div style="text-align: center;">  <p>39.7</p> <p>28.5</p> <p>39.4</p> <p>Panel thickness: Max. 6mm</p> </div> <div style="border: 1px solid black; padding: 5px;"> <table border="1"> <thead> <tr> <th></th> <th>A</th> <th>B</th> </tr> </thead> <tbody> <tr> <td>Singular type contact</td> <td>48.5</td> <td>27.0</td> </tr> <tr> <td>Modular type contact</td> <td>46.5</td> <td>25.0</td> </tr> </tbody> </table> </div> </div> <p style="text-align: right;">※For panel cut-out dimensions, please refer to page A-36.</p>									A	B	Singular type contact	48.5	27.0	Modular type contact	46.5	25.0
	A	B														
Singular type contact	48.5	27.0														
Modular type contact	46.5	25.0														


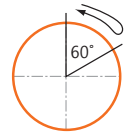
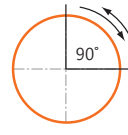
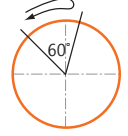
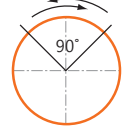
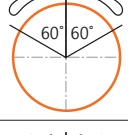
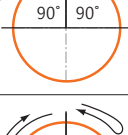
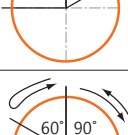
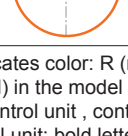
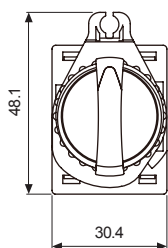
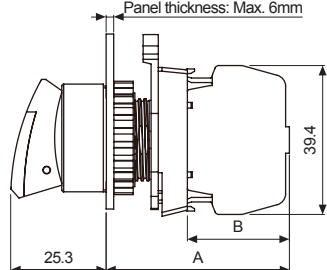
Ø22/25 Shark-Head Lever Selector Switches (S2SRN Series)

Type	Appearance	Operating position		Model	Contact block		LED block														
					A contact	B contact	AC/DC voltage	AC voltage													
Short shark-head lever, extended	 <p>S2SRN-S1AW</p>	2-position, spring return		S2SRN-S1A□A(M)	1EA	—	—	—													
				S2SRN-S1A□2A(M)	2EA	—															
				S2SRN-S1A□B(M)	—	1EA															
				S2SRN-S1A□2B(M)	—	2EA															
				S2SRN-S1A□AB(M)	1EA	1EA															
		2-position, maintained		S2SRN-S3A□A(M)	1EA	—															
				S2SRN-S3A□2A(M)	2EA	—															
				S2SRN-S3A□B(M)	—	1EA															
				S2SRN-S3A□2B(M)	—	2EA															
				S2SRN-S3A□AB(M)	1EA	1EA															
		2-position, spring return		S2SRN-S1B□A(M)	1EA	—															
				S2SRN-S1B□2A(M)	2EA	—															
				S2SRN-S1B□B(M)	—	1EA															
				S2SRN-S1B□2B(M)	—	2EA															
				S2SRN-S1B□AB(M)	1EA	1EA															
		2-position, maintained		S2SRN-S3B□A(M)	1EA	—															
				S2SRN-S3B□2A(M)	2EA	—															
				S2SRN-S3B□B(M)	—	1EA															
				S2SRN-S3B□2B(M)	—	2EA															
				S2SRN-S3B□AB(M)	1EA	1EA															
		3-position, spring return two-way		S2SRN-S5□2A(M)	2EA	—															
				S2SRN-S5□2B(M)	—	2EA															
				S2SRN-S5□AB(M)	1EA	1EA															
		3-position, maintained		S2SRN-S7□2A(M)	2EA	—															
				S2SRN-S7□2B(M)	—	2EA															
				S2SRN-S7□AB(M)	1EA	1EA															
		3-position, spring return from right		S2SRN-SA□2A(M)	2EA	—															
				S2SRN-SA□2B(M)	—	2EA															
				S2SRN-SA□AB(M)	1EA	1EA															
		3-position, spring return from left		S2SRN-SC□2A(M)	2EA	—															
				S2SRN-SC□2B(M)	—	2EA															
				S2SRN-SC□AB(M)	1EA	1EA															
		<p>※□ indicates color: W (white), R (red) ※The (M) in the model name indicates modular type contacts. Models without (M) are singular types. ※The control unit and contact blocks are sold separately. (control unit: bold letters, contact block: regular letters) ※Connect up to 2 contact blocks. Connect the contact blocks only on the side slots. It will not operate if connected to the center slot.</p>																			
		<p>• Dimensions (unit: mm)</p> <div style="display: flex; align-items: flex-start;"> <div style="flex: 1;">  </div> <div style="flex: 2;">  </div> <div style="flex: 1; margin-left: 20px;"> <table border="1"> <thead> <tr> <th></th> <th>A</th> <th>B</th> </tr> </thead> <tbody> <tr> <td>Singular type contact</td> <td>48.5</td> <td>27.0</td> </tr> <tr> <td>Modular type contact</td> <td>46.5</td> <td>25.0</td> </tr> </tbody> </table> </div> </div> <p>※For panel cut-out dimensions, please refer to page A-36.</p>										A	B	Singular type contact	48.5	27.0	Modular type contact	46.5	25.0		
			A	B																	
		Singular type contact	48.5	27.0																	
Modular type contact	46.5	25.0																			

Type	Appearance	Operating position		Model	Contact block		LED block										
					A contact	B contact	AC/DC voltage	AC voltage									
Long shark-head lever, extended	 <p>S2SRN-S2AR□</p>	2-position, spring return		S2SRN-S2A□A(M)	1EA	—	—	—									
				S2SRN-S2A□2A(M)	2EA	—											
				S2SRN-S2A□B(M)	—	1EA											
				S2SRN-S2A□2B(M)	—	2EA											
				S2SRN-S2A□AB(M)	1EA	1EA											
		2-position, maintained		S2SRN-S4A□A(M)	1EA	—											
				S2SRN-S4A□2A(M)	2EA	—											
				S2SRN-S4A□B(M)	—	1EA											
				S2SRN-S4A□2B(M)	—	2EA											
				S2SRN-S4A□AB(M)	1EA	1EA											
		2-position, spring return		S2SRN-S2B□A(M)	1EA	—											
				S2SRN-S2B□2A(M)	2EA	—											
				S2SRN-S2B□B(M)	—	1EA											
				S2SRN-S2B□2B(M)	—	2EA											
				S2SRN-S2B□AB(M)	1EA	1EA											
		2-position, maintained		S2SRN-S4B□A(M)	1EA	—											
				S2SRN-S4B□2A(M)	2EA	—											
				S2SRN-S4B□B(M)	—	1EA											
				S2SRN-S4B□2B(M)	—	2EA											
				S2SRN-S4B□AB(M)	1EA	1EA											
		3-position, spring return two-way		S2SRN-S6□2A(M)	2EA	—											
				S2SRN-S6□2B(M)	—	2EA											
				S2SRN-S6□AB(M)	1EA	1EA											
		3-position, maintained		S2SRN-S8□2A(M)	2EA	—											
				S2SRN-S8□2B(M)	—	2EA											
				S2SRN-S8□AB(M)	1EA	1EA											
		3-position, spring return from right		S2SRN-SB□2A(M)	2EA	—											
				S2SRN-SB□2B(M)	—	2EA											
S2SRN-SB□AB(M)	1EA			1EA													
3-position, spring return from left		S2SRN-SD□2A(M)	2EA	—													
		S2SRN-SD□2B(M)	—	2EA													
		S2SRN-SD□AB(M)	1EA	1EA													
<p>※□ indicates color: W (white), R (red) ※The (M) in the model name indicates modular type contacts. Models without (M) are singular types. ※The control unit and contact blocks are sold separately. (control unit: bold letters, contact block: regular letters) ※Connect up to 2 contact blocks. Connect the contact blocks only on the side slots. It will not operate if connected to the center slot.</p>																	
<p>• Dimensions (unit: mm)</p> <div style="display: flex; justify-content: space-around; align-items: flex-end;">   <table border="1" style="margin-left: auto;"> <thead> <tr> <th></th> <th>A</th> <th>B</th> </tr> </thead> <tbody> <tr> <td>Singular type contact</td> <td>48.5</td> <td>27.0</td> </tr> <tr> <td>Modular type contact</td> <td>46.5</td> <td>25.0</td> </tr> </tbody> </table> </div> <p style="text-align: center;">※For panel cut-out dimensions, please refer to page A-36.</p>										A	B	Singular type contact	48.5	27.0	Modular type contact	46.5	25.0
	A	B															
Singular type contact	48.5	27.0															
Modular type contact	46.5	25.0															



Ø22/25 Selector Switches

Type	Appearance	Operating position		Model	Contact block		LED block														
					A contact	B contact	AC/DC voltage	AC voltage													
Short shark-head lever, extended (illuminated)	 S2SRN-L1AR□	2-position, spring return		S2SRN-L1A□AL(M)	1EA	—	—	1EA													
				S2SRN-L1A□2AL(M)	2EA	—															
				S2SRN-L1A□BL(M)	—	1EA															
				S2SRN-L1A□2BL(M)	—	2EA															
				S2SRN-L1A□ABL(M)	1EA	1EA															
		2-position, maintained		S2SRN-L3A□AL(M)	1EA	—															
				S2SRN-L3A□2AL(M)	2EA	—															
				S2SRN-L3A□BL(M)	—	1EA															
				S2SRN-L3A□2BL(M)	—	2EA															
				S2SRN-L3A□ABL(M)	1EA	1EA															
		2-position, spring return		S2SRN-L1B□AL(M)	1EA	—															
				S2SRN-L1B□2AL(M)	2EA	—															
				S2SRN-L1B□BL(M)	—	1EA															
				S2SRN-L1B□2BL(M)	—	2EA															
				S2SRN-L1B□ABL(M)	1EA	1EA															
		2-position, maintained		S2SRN-L3B□AL(M)	1EA	—															
				S2SRN-L3B□2AL(M)	2EA	—															
				S2SRN-L3B□BL(M)	—	1EA															
				S2SRN-L3B□2BL(M)	—	2EA															
				S2SRN-L3B□ABL(M)	1EA	1EA															
		3-position, spring return two-way		S2SRN-L5□2AL(M)	2EA	—															
				S2SRN-L5□2BL(M)	—	2EA															
				S2SRN-L5□ABL(M)	1EA	1EA															
		3-position, maintained		S2SRN-L7□2AL(M)	2EA	—															
				S2SRN-L7□2BL(M)	—	2EA															
				S2SRN-L7□ABL(M)	1EA	1EA															
		3-position, spring return from right		S2SRN-LA□2AL(M)	2EA	—															
				S2SRN-LA□2BL(M)	—	2EA															
				S2SRN-LA□ABL(M)	1EA	1EA															
		3-position, spring return from left		S2SRN-LC□2AL(M)	2EA	—															
				S2SRN-LC□2BL(M)	—	2EA															
				S2SRN-LC□ABL(M)	1EA	1EA															
		※□ indicates color: R (red), B (blue), G (green), Y (yellow) ※The (M) in the model name indicates modular type contacts. Models without (M) are singular types. ※The control unit, contact blocks, LED blocks are sold separately. (control unit: bold letters, contact and LED block: regular letters) ※The LED color is the same as the control unit. ※Connect up to 2 contact blocks. Connect the contact blocks only on the side slots. It will not operate if connected to the center slot.																			
		• Dimensions (unit: mm)																			
						<table border="1"> <thead> <tr> <th></th> <th>A</th> <th>B</th> </tr> </thead> <tbody> <tr> <td>Singular type contact</td> <td>48.5</td> <td>27.0</td> </tr> <tr> <td>Modular type contact</td> <td>46.5</td> <td>25.0</td> </tr> </tbody> </table>						A	B	Singular type contact	48.5	27.0	Modular type contact	46.5	25.0		
			A	B																	
Singular type contact	48.5	27.0																			
Modular type contact	46.5	25.0																			
※For panel cut-out dimensions, please refer to page A-36.																					



Ø22/25 Selector Switches

Type	Appearance	Operating position		Model	Contact block		LED block										
					A contact	B contact	AC/DC voltage	AC voltage									
Short shark-head lever, extended (illuminated)	<p>S2SRN-L1AR□</p>	2-position, spring return		S2SRN-L1A□AD(M)	1EA	—	1EA	—									
				S2SRN-L1A□2AD(M)	2EA	—											
				S2SRN-L1A□BD(M)	—	1EA											
				S2SRN-L1A□2BD(M)	—	2EA											
		S2SRN-L1A□ABD(M)	1EA	1EA													
		2-position, maintained		S2SRN-L3A□AD(M)	1EA	—											
				S2SRN-L3A□2AD(M)	2EA	—											
				S2SRN-L3A□BD(M)	—	1EA											
				S2SRN-L3A□2BD(M)	—	2EA											
		S2SRN-L3A□ABD(M)	1EA	1EA													
		2-position, spring return		S2SRN-L1B□AD(M)	1EA	—											
				S2SRN-L1B□2AD(M)	2EA	—											
				S2SRN-L1B□BD(M)	—	1EA											
				S2SRN-L1B□2BD(M)	—	2EA											
		S2SRN-L1B□ABD(M)	1EA	1EA													
		2-position, maintained		S2SRN-L3B□AD(M)	1EA	—											
				S2SRN-L3B□2AD(M)	2EA	—											
				S2SRN-L3B□BD(M)	—	1EA											
				S2SRN-L3B□2BD(M)	—	2EA											
		S2SRN-L3B□ABD(M)	1EA	1EA													
		3-position, spring return two-way		S2SRN-L5□2AD(M)	2EA	—											
				S2SRN-L5□2BD(M)	—	2EA											
				S2SRN-L5□ABD(M)	1EA	1EA											
		3-position, maintained		S2SRN-L7□2AD(M)	2EA	—											
S2SRN-L7□2BD(M)	—			2EA													
S2SRN-L7□ABD(M)	1EA			1EA													
3-position, spring return from right		S2SRN-LA□2AD(M)	2EA	—													
		S2SRN-LA□2BD(M)	—	2EA													
		S2SRN-LA□ABD(M)	1EA	1EA													
3-position, spring return from left		S2SRN-LC□2AD(M)	2EA	—													
		S2SRN-LC□2BD(M)	—	2EA													
		S2SRN-LC□ABD(M)	1EA	1EA													
<p>※□ indicates color: R (red), B (blue), G (green), Y (yellow) ※The (M) in the model name indicates modular type contacts. Models without (M) are singular types. ※The control unit, contact blocks, LED blocks are sold separately. (control unit: bold letters, contact and LED block: regular letters) ※The LED color is the same as the control unit. ※Connect up to 2 contact blocks. Connect the contact blocks only on the side slots. It will not operate if connected to the center slot.</p>																	
<p>• Dimensions (unit: mm)</p> <div style="display: flex; justify-content: space-around; align-items: flex-end;"> <div style="text-align: center;"> <p>48.1 30.4</p> </div> <div style="text-align: center;"> <p>Panel thickness: Max. 6mm 25.3 39.4 A B</p> </div> <div style="text-align: center;"> <table border="1"> <thead> <tr> <th></th> <th>A</th> <th>B</th> </tr> </thead> <tbody> <tr> <td>Singular type contact</td> <td>48.5</td> <td>27.0</td> </tr> <tr> <td>Modular type contact</td> <td>46.5</td> <td>25.0</td> </tr> </tbody> </table> </div> </div> <p>※For panel cut-out dimensions, please refer to page A-36.</p>										A	B	Singular type contact	48.5	27.0	Modular type contact	46.5	25.0
	A	B															
Singular type contact	48.5	27.0															
Modular type contact	46.5	25.0															

Control Switches

Ø22/25

Ø30

□30

Round Push Button Switches

Square Push Button Switches

Selector Switches

Key Selector Switches

Double Push Button Switches

Mushroom-head Push Button Switches

Emergency Switches

Pilot Lights

Accessories

Buzzers

Modular Terminal Blocks

TUM(Spring Type)
TUM1(Dual Spring Type)
TM(Manual Type)

I/O Terminal Blocks

AFS(Interface Terminal Block)

AFJ/AFR(Interface Terminal Block)

ACS(Common Terminal Block)

AFE(Sensor Connector Terminal Block)

ABS(Relay Terminal Block)

ABL(Relay Terminal Block)

Power Relay

I/O Cables

MITUBISHI

LSIS

Autonics

RS Automation

YOKOGAWA

FUJI

KDT

OMRON

TELEMECANIQUE

For SERVO

Open Type Cables

Cable Appearance

Remote I/O Terminal Blocks

ARD(DeviceNet Digital Standard Terminal Type)

ARD(DeviceNet Digital Sensor Connector Type)

ARD(DeviceNet Analog Standard Terminal Type)

ARM(Modbus Digital Sensor Connector Type)

Others

Sensor Connectors

Sockets


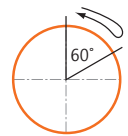
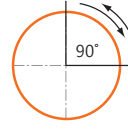
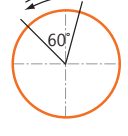
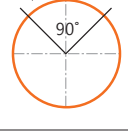
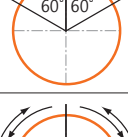
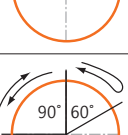
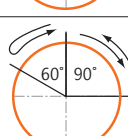
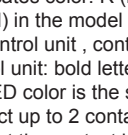
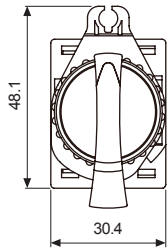
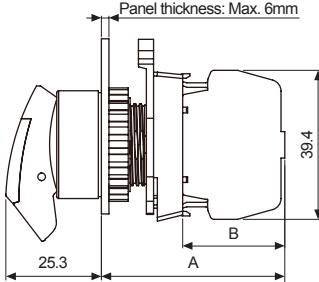
Sensor Distribution Boxes

Valve Plugs

Thumbwheel Switches



Ø22/25 Selector Switches

Type	Appearance	Operating position	Model	Contact block		LED block														
				A contact	B contact	AC/DC voltage	AC voltage													
Long shark-head lever, extended (illuminated)	 <p>S2SRN-L2AR□</p>	2-position, spring return 	S2SRN-L2A□AL(M)	1EA	—	—	1EA													
			S2SRN-L2A□2AL(M)	2EA	—															
			S2SRN-L2A□BL(M)	—	1EA															
			S2SRN-L2A□2BL(M)	—	2EA															
			S2SRN-L2A□ABL(M)	1EA	1EA															
		2-position, maintained 	S2SRN-L4A□AL(M)	1EA	—															
			S2SRN-L4A□2AL(M)	2EA	—															
			S2SRN-L4A□BL(M)	—	1EA															
			S2SRN-L4A□2BL(M)	—	2EA															
			S2SRN-L4A□ABL(M)	1EA	1EA															
		2-position, spring return 	S2SRN-L2B□AL(M)	1EA	—															
			S2SRN-L2B□2AL(M)	2EA	—															
			S2SRN-L2B□BL(M)	—	1EA															
			S2SRN-L2B□2BL(M)	—	2EA															
			S2SRN-L2B□ABL(M)	1EA	1EA															
		2-position, maintained 	S2SRN-L4B□AL(M)	1EA	—															
			S2SRN-L4B□2AL(M)	2EA	—															
			S2SRN-L4B□BL(M)	—	1EA															
			S2SRN-L4B□2BL(M)	—	2EA															
			S2SRN-L4B□ABL(M)	1EA	1EA															
		3-position, spring return two-way 	S2SRN-L6□2AL(M)	2EA	—															
			S2SRN-L6□2BL(M)	—	2EA															
			S2SRN-L6□ABL(M)	1EA	1EA															
		3-position, maintained 	S2SRN-L8□2AL(M)	2EA	—															
			S2SRN-L8□2BL(M)	—	2EA															
			S2SRN-L8□ABL(M)	1EA	1EA															
		3-position, spring return from right 	S2SRN-LB□2AL(M)	2EA	—															
			S2SRN-LB□2BL(M)	—	2EA															
			S2SRN-LB□ABL(M)	1EA	1EA															
		3-position, spring return from left 	S2SRN-LD□2AL(M)	2EA	—															
			S2SRN-LD□2BL(M)	—	2EA															
			S2SRN-LD□ABL(M)	1EA	1EA															
		<p>□ indicates color: R (red), B (blue), G (green), Y (yellow)</p> <p>※ The (M) in the model name indicates modular type contacts. Models without (M) are singular types.</p> <p>※ The control unit, contact blocks, LED blocks are sold separately. (control unit: bold letters, contact and LED block: regular letters)</p> <p>※ The LED color is the same as the control unit.</p> <p>※ Connect up to 2 contact blocks. Connect the contact blocks only on the side slots. It will not operate if connected to the center slot.</p>																		
		<p>• Dimensions (unit: mm)</p> <div style="display: flex; align-items: center;">   <table border="1" style="margin-left: auto; margin-right: 0;"> <thead> <tr> <th></th> <th>A</th> <th>B</th> </tr> </thead> <tbody> <tr> <td>Singular type contact</td> <td>48.5</td> <td>27.0</td> </tr> <tr> <td>Modular type contact</td> <td>46.5</td> <td>25.0</td> </tr> </tbody> </table> </div> <p style="text-align: right;">※ For panel cut-out dimensions, please refer to page A-36.</p>									A	B	Singular type contact	48.5	27.0	Modular type contact	46.5	25.0		
			A	B																
		Singular type contact	48.5	27.0																
Modular type contact	46.5	25.0																		



Ø22/25 Selector Switches


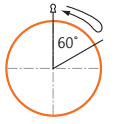
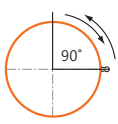
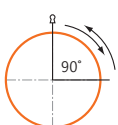
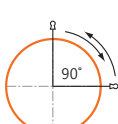
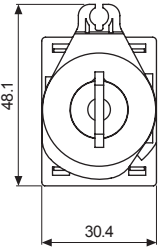
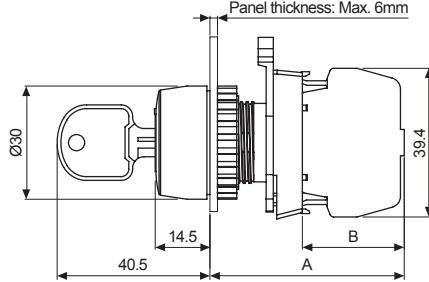
Type	Appearance	Operating position	Model	Contact block		LED block										
				A contact	B contact	AC/DC voltage	AC voltage									
Long shark-head lever, extended (illuminated)	<p>S2SRN-L2AR□</p>	2-position, spring return 	S2SRN-L2A□AD(M)	1EA	—	1EA	—									
			S2SRN-L2A□2AD(M)	2EA	—											
			S2SRN-L2A□BD(M)	—	1EA											
			S2SRN-L2A□2BD(M)	—	2EA											
			S2SRN-L2A□ABD(M)	1EA	1EA											
		2-position, maintained 	S2SRN-L4A□AD(M)	1EA	—											
			S2SRN-L4A□2AD(M)	2EA	—											
			S2SRN-L4A□BD(M)	—	1EA											
			S2SRN-L4A□2BD(M)	—	2EA											
			S2SRN-L4A□ABD(M)	1EA	1EA											
		2-position, spring return 	S2SRN-L2B□AD(M)	1EA	—											
			S2SRN-L2B□2AD(M)	2EA	—											
			S2SRN-L2B□BD(M)	—	1EA											
			S2SRN-L2B□2BD(M)	—	2EA											
			S2SRN-L2B□ABD(M)	1EA	1EA											
		2-position, maintained 	S2SRN-L4B□AD(M)	1EA	—											
			S2SRN-L4B□2AD(M)	2EA	—											
			S2SRN-L4B□BD(M)	—	1EA											
			S2SRN-L4B□2BD(M)	—	2EA											
			S2SRN-L4B□ABD(M)	1EA	1EA											
		3-position, spring return two-way 	S2SRN-L6□2AD(M)	2EA	—											
			S2SRN-L6□2BD(M)	—	2EA											
			S2SRN-L6□ABD(M)	1EA	1EA											
		3-position, maintained 	S2SRN-L8□2AD(M)	2EA	—											
			S2SRN-L8□2BD(M)	—	2EA											
			S2SRN-L8□ABD(M)	1EA	1EA											
		3-position, spring return from right 	S2SRN-LB□2AD(M)	2EA	—											
			S2SRN-LB□2BD(M)	—	2EA											
S2SRN-LB□ABD(M)	1EA		1EA													
3-position, spring return from left 	S2SRN-LD□2AD(M)	2EA	—													
	S2SRN-LD□2BD(M)	—	2EA													
	S2SRN-LD□ABD(M)	1EA	1EA													
<p>※□ indicates color: R (red), B (blue), G (green), Y (yellow) ※The (M) in the model name indicates modular type contacts. Models without (M) are singular types. ※The control unit, contact blocks, LED blocks are sold separately. (control unit: bold letters, contact and LED block: regular letters) ※The LED color is the same as the control unit. ※Connect up to 2 contact blocks. Connect the contact blocks only on the side slots. It will not operate if connected to the center slot.</p>																
<p>• Dimensions</p> <div style="display: flex; justify-content: space-around;"> </div> <p style="text-align: right;">(unit: mm)</p> <table border="1" style="margin-left: auto; margin-right: auto;"> <thead> <tr> <th></th> <th>A</th> <th>B</th> </tr> </thead> <tbody> <tr> <td>Singular type contact</td> <td>48.5</td> <td>27.0</td> </tr> <tr> <td>Modular type contact</td> <td>46.5</td> <td>25.0</td> </tr> </tbody> </table> <p style="text-align: center;">※For panel cut-out dimensions, please refer to page A-36.</p>									A	B	Singular type contact	48.5	27.0	Modular type contact	46.5	25.0
	A	B														
Singular type contact	48.5	27.0														
Modular type contact	46.5	25.0														

Control Switches

- Ø22/25
 - Ø30
 - 30
- Round Push Button Switches
- Square Push Button Switches
- Selector Switches**
 - Key Selector Switches
 - Double Push Button Switches
 - Mushroom-head Push Button Switches
 - Emergency Switches
 - Pilot Lights
 - Accessories
- Buzzers
- Modular Terminal Blocks
 - TUM(Spring Type)
 - TUW1(Dual Spring Type)
 - TM(Manual Type)
- I/O Terminal Blocks
 - AFS(Interface Terminal Block)
 - AFJ/AFR(Interface Terminal Block)
 - ACS(Common Terminal Block)
 - AFE(Sensor Connector Terminal Block)
 - ABS(Relay Terminal Block)
 - ABL(Relay Terminal Block)
 - Power Relay
- I/O Cables
 - MITUBISHI
 - LSIS
 - Autonics
 - RS Automation
 - YOKOGAWA
 - FUJI
 - KDT
 - OMRON
 - TELEMECANIQUE
 - For SERVO
 - Open Type Cables
 - Cable Appearance
- Remote I/O Terminal Blocks
 - ARD(DeviceNet Digital Standard Terminal Type)
 - ARD(DeviceNet Digital Sensor Connector Type)
 - ARD(DeviceNet Analog Standard Terminal Type)
 - ARM(Modbus Digital Sensor Connector Type)
- Others
 - Sensor Connectors
 - Sockets
 - Sensor Distribution Boxes
 - Valve Plugs
 - Thumbwheel Switches

Ø22/25 Key Selector Switches

Ø22/25 Key Selector Switches (S2KR Series)

Type	Appearance	Operating position		Model	Contact block		LED block														
					A contact	B contact	AC/DC voltage	AC voltage													
Extended	 <p>S2KR-1E□</p>	2-position, spring return, key removal: center		S2KR-1E□A(M)	1EA	—	—	—													
				S2KR-1E□2A(M)	2EA	—															
				S2KR-1E□B(M)	—	1EA															
				S2KR-1E□2B(M)	—	2EA															
				S2KR-1E□AB(M)	1EA	1EA															
		2-position, maintained key removal: right		S2KR-2D□A(M)	1EA	—															
				S2KR-2D□2A(M)	2EA	—															
				S2KR-2D□B(M)	—	1EA															
				S2KR-2D□2B(M)	—	2EA															
				S2KR-2D□AB(M)	1EA	1EA															
		2-position, maintained key removal: center		S2KR-2E□A(M)	1EA	—															
				S2KR-2E□2A(M)	2EA	—															
				S2KR-2E□B(M)	—	1EA															
				S2KR-2E□2B(M)	—	2EA															
				S2KR-2E□AB(M)	1EA	1EA															
		2-position, maintained key removal: center + right		S2KR-2F□A(M)	1EA	—															
				S2KR-2F□2A(M)	2EA	—															
				S2KR-2F□B(M)	—	1EA															
				S2KR-2F□2B(M)	—	2EA															
				S2KR-2F□AB(M)	1EA	1EA															
		<p>※□ indicates color: K (black), S (silver)</p> <p>※The (M) in the model name indicates modular type contacts. Models without (M) are singular types.</p> <p>※The control unit and contact blocks are sold separately. (control unit: bold letters, contact block: regular letters)</p> <p>※Connect up to 2 contact blocks.</p> <p>Connect the contact blocks only on the side slots. It will not operate if connected to the center slot.</p>																			
		<p>• Dimensions (unit: mm)</p> <div style="display: flex; justify-content: space-around; align-items: flex-start;"> <div style="text-align: center;">  <p>48.1 30.4</p> </div> <div style="text-align: center;">  <p>Panel thickness: Max. 6mm Ø30 40.5 14.5 39.4 A B</p> </div> <div style="border: 1px solid black; padding: 5px;"> <table border="1"> <thead> <tr> <th></th> <th>A</th> <th>B</th> </tr> </thead> <tbody> <tr> <td>Singular type contact</td> <td>51.5</td> <td>27.0</td> </tr> <tr> <td>Modular type contact</td> <td>49.5</td> <td>25.0</td> </tr> </tbody> </table> </div> </div> <p style="text-align: right;">※For panel cut-out dimensions, please refer to page A-36.</p>										A	B	Singular type contact	51.5	27.0	Modular type contact	49.5	25.0		
			A	B																	
		Singular type contact	51.5	27.0																	
Modular type contact	49.5	25.0																			

Ø22/25 Key Selector Switches

Control Switches

Ø22/25

Ø30

□30

Round Push Button Switches

Square Push Button Switches

Selector Switches

Key Selector Switches

Double Push Button Switches

Mushroom-head Push Button Switches

Emergency Switches

Pilot Lights

Accessories

Buzzers

Modular Terminal Blocks

TUM(Spring Type)
TUM¹(Dual Spring Type)
TM(Manual Type)

I/O Terminal Blocks

AFS(Interface Terminal Block)

AFL/AFR(Interface Terminal Block)

ACS(Common Terminal Block)

AFE(Sensor Connector Terminal Block)

ABS(Relay Terminal Block)

ABL(Relay Terminal Block)

Power Relay

I/O Cables

MITUBISHI

LSIS

Autonics

RS Automation

YOKOGAWA

FUJI

KDT

OMRON

TELEMECANIQUE

For SERVO

Open Type Cables

Cable Appearance

Remote I/O Terminal Blocks

ARD(DeviceNet Digital Standard Terminal Type)

ARD(DeviceNet Digital Sensor Connector Type)

ARD(DeviceNet Analog Standard Terminal Type)

ARM(Modbus Digital Sensor Connector Type)

Others


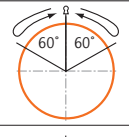
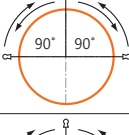
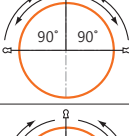
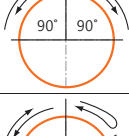
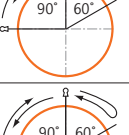
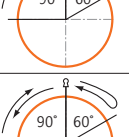
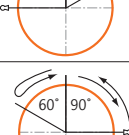
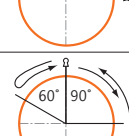
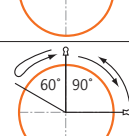
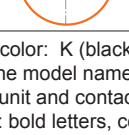
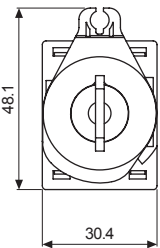
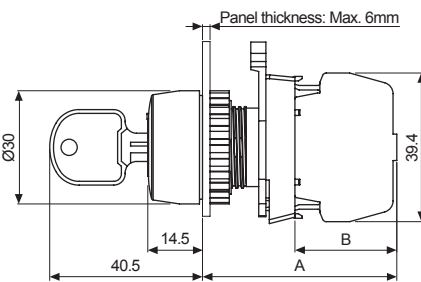
Sensor Connectors

Sockets

Sensor Distribution Boxes


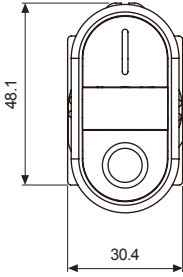
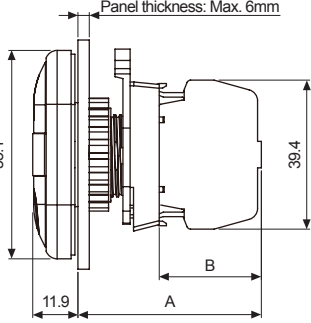
Valve Plugs

Thumbwheel Switches


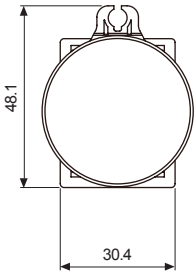
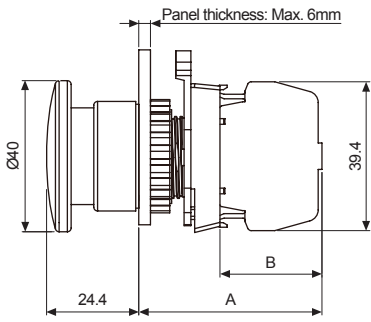
Type	Appearance	Operating position	Model	Contact block		LED block										
				A contact	B contact	AC/DC voltage	AC voltage									
Extended	 <p>S2KR-3EK□</p>	3-position, spring return two-way key removal: center		S2KR-3E□2A(M)	2EA	—	—	—								
			S2KR-3E□2B(M)	—	2EA											
			S2KR-3E□AB(M)	1EA	1EA											
		3-position, maintained key removal: left + right		S2KR-4B□2A(M)	2EA	—										
			S2KR-4B□2B(M)	—	2EA											
			S2KR-4B□AB(M)	1EA	1EA											
		3-position, maintained key removal: left+center + right		S2KR-4C□2A(M)	2EA	—										
			S2KR-4C□2B(M)	—	2EA											
			S2KR-4C□AB(M)	1EA	1EA											
		3-position, maintained key removal: center		S2KR-4E□2A(M)	2EA	—										
			S2KR-4E□2B(M)	—	2EA											
			S2KR-4E□AB(M)	1EA	1EA											
		3-position, spring return from right key removal: left		S2KR-5A□2A(M)	2EA	—										
			S2KR-5A□2B(M)	—	2EA											
			S2KR-5A□AB(M)	1EA	1EA											
		3-position, spring return from right key removal: center		S2KR-5E□2A(M)	2EA	—										
			S2KR-5E□2B(M)	—	2EA											
			S2KR-5E□AB(M)	1EA	1EA											
		3-position, spring return from right key removal: left+center		S2KR-5G□2A(M)	2EA	—										
			S2KR-5G□2B(M)	—	2EA											
			S2KR-5G□AB(M)	1EA	1EA											
		3-position, spring return from left key removal: right		S2KR-6D□2A(M)	2EA	—										
			S2KR-6D□2B(M)	—	2EA											
			S2KR-6D□AB(M)	1EA	1EA											
3-position, spring return from left key removal: center		S2KR-6E□2A(M)	2EA	—												
	S2KR-6E□2B(M)	—	2EA													
	S2KR-6E□AB(M)	1EA	1EA													
3-position, spring return from left key removal: center + right		S2KR-6F□2A(M)	2EA	—												
	S2KR-6F□2B(M)	—	2EA													
	S2KR-6F□AB(M)	1EA	1EA													
<p>※□ indicates color: K (black), S (silver) ※The (M) in the model name indicates modular type contacts. Models without (M) are singular types. ※The control unit and contact blocks are sold separately. (control unit: bold letters, contact block: regular letters) ※Connect up to 2 contact blocks. Connect the contact blocks only on the side slots. It will not operate if connected to the center slot.</p>																
<p>• Dimensions (unit: mm)</p> <div style="display: flex; justify-content: space-around; align-items: flex-end;"> <div style="text-align: center;">  <p>48.1</p> <p>30.4</p> </div> <div style="text-align: center;">  <p>Panel thickness: Max. 6mm</p> <p>Ø30</p> <p>14.5</p> <p>40.5</p> <p>39.4</p> <p>A</p> <p>B</p> </div> <div style="text-align: right;"> <table border="1"> <tr> <td></td> <td>A</td> <td>B</td> </tr> <tr> <td>Singular type contact</td> <td>51.5</td> <td>27.0</td> </tr> <tr> <td>Modular type contact</td> <td>49.5</td> <td>25.0</td> </tr> </table> </div> </div> <p style="text-align: center;">※For panel cut-out dimensions, please refer to page A-36.</p>									A	B	Singular type contact	51.5	27.0	Modular type contact	49.5	25.0
	A	B														
Singular type contact	51.5	27.0														
Modular type contact	49.5	25.0														

Ø22/25 Double/Mushroom-head Push Button Switches


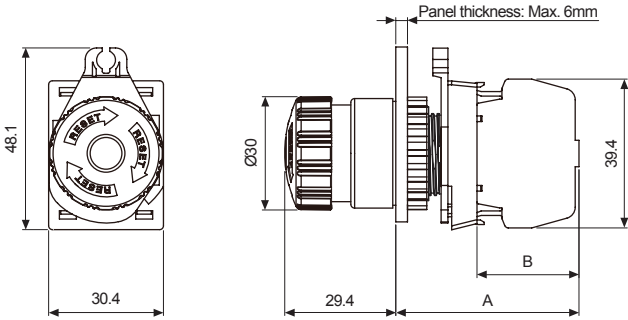

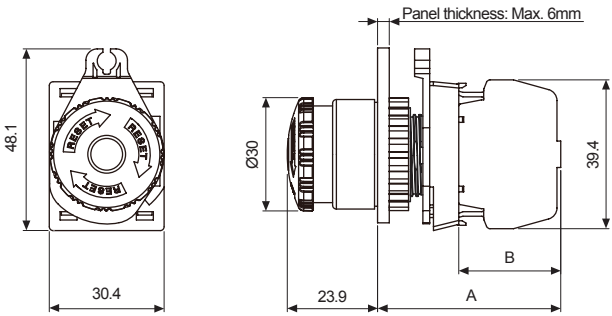
Ø22/25 Double Push Button Switches (S2TR Series)

Type	Appearance	Model	Contact block		LED block										
			A contact	B contact	AC/DC voltage	AC voltage									
Extended	 <p>S2TR-P3W□</p>	S2TR-P3WABD (M)	1EA	1EA	1EA	—									
		S2TR-P3WABL (M)	1EA	1EA	—	1EA									
<p>※ The (M) in the model name indicates modular type contacts. Models without (M) are singular types. ※ The control unit and contact blocks are sold separately. (control unit: bold letters, contact and LED block: regular letters)</p> <p>• Dimensions (unit: mm)</p> <div style="display: flex; justify-content: space-around; align-items: flex-start;"> <div style="text-align: center;">  <p>48.1 30.4</p> </div> <div style="text-align: center;">  <p>Panel thickness: Max. 6mm 55.1 11.9 39.4 A B</p> </div> <div style="border: 1px solid black; padding: 5px;"> <table border="1"> <thead> <tr> <th></th> <th>A</th> <th>B</th> </tr> </thead> <tbody> <tr> <td>Singular type contact</td> <td>48.5</td> <td>27.0</td> </tr> <tr> <td>Modular type contact</td> <td>46.5</td> <td>25.0</td> </tr> </tbody> </table> </div> </div> <p style="text-align: right;">※ For panel cut-out dimensions, please refer to page A-36.</p>								A	B	Singular type contact	48.5	27.0	Modular type contact	46.5	25.0
	A	B													
Singular type contact	48.5	27.0													
Modular type contact	46.5	25.0													

Ø22/25 Mushroom-head Push Button Switches (S2BR Series)

Type	Appearance	Model	Contact block		LED block										
			A contact	B contact	AC/DC voltage	AC voltage									
Extended	 <p>S2BR-P1G□</p>	S2BR-P1 □A(M)	1EA	—	—	—									
		S2BR-P1 □2A(M)	2EA	—											
		S2BR-P1 □3A(M)	3EA	—											
		S2BR-P1 □B(M)	—	1EA											
		S2BR-P1 □2B(M)	—	2EA											
		S2BR-P1 □3B(M)	—	3EA											
		S2BR-P1 □AB(M)	1EA	1EA											
		S2BR-P1 □2AB(M)	2EA	1EA											
		S2BR-P1 □A2B(M)	1EA	2EA											
<p>※ □ indicates color: R (red), G (green) ※ The (M) in the model name indicates modular type contacts. Models without (M) are singular types. ※ The control unit and contact blocks are sold separately. (control unit: bold letters, contact block: regular letters)</p> <p>• Dimensions (unit: mm)</p> <div style="display: flex; justify-content: space-around; align-items: flex-start;"> <div style="text-align: center;">  <p>48.1 30.4</p> </div> <div style="text-align: center;">  <p>Panel thickness: Max. 6mm Ø40 24.4 39.4 A B</p> </div> <div style="border: 1px solid black; padding: 5px;"> <table border="1"> <thead> <tr> <th></th> <th>A</th> <th>B</th> </tr> </thead> <tbody> <tr> <td>Singular type contact</td> <td>48.5</td> <td>27.0</td> </tr> <tr> <td>Modular type contact</td> <td>46.5</td> <td>25.0</td> </tr> </tbody> </table> </div> </div> <p style="text-align: right;">※ For panel cut-out dimensions, please refer to page A-36.</p>								A	B	Singular type contact	48.5	27.0	Modular type contact	46.5	25.0
	A	B													
Singular type contact	48.5	27.0													
Modular type contact	46.5	25.0													

Ø22/25 Emergency Switches (S2ER Series)

Type	Appearance	Model	Contact block		LED block										
			A contact	B contact	AC/DC voltage	AC voltage									
D30L (long head)	 S2ER-E1R□	S2ER-E1RA(M)	1EA	—	—	—									
		S2ER-E1R2A(M)	2EA	—											
		S2ER-E1R3A(M)	3EA	—											
		S2ER-E1RB(M)	—	1EA											
		S2ER-E1R2B(M)	—	2EA											
		S2ER-E1R3B(M)	—	3EA											
		S2ER-E1RAB(M)	1EA	1EA											
		S2ER-E1R2AB(M)	2EA	1EA											
		S2ER-E1RA2B(M)	1EA	2EA											
※The (M) in the model name indicates modular type contacts. Models without (M) are singular types. ※The control unit and contact blocks are sold separately. (control unit: bold letters, contact block: regular letters)															
• Dimensions (unit: mm)															
															
<table border="1" style="margin-left: auto; margin-right: auto;"> <thead> <tr> <th></th> <th>A</th> <th>B</th> </tr> </thead> <tbody> <tr> <td>Singular type contact</td> <td>48.5</td> <td>27.0</td> </tr> <tr> <td>Modular type contact</td> <td>46.5</td> <td>25.0</td> </tr> </tbody> </table>								A	B	Singular type contact	48.5	27.0	Modular type contact	46.5	25.0
	A	B													
Singular type contact	48.5	27.0													
Modular type contact	46.5	25.0													
※For panel cut-out dimensions, please refer to page A-36.															
Type	Appearance	Model	Contact block		LED block										
			A contact	B contact	AC/DC voltage	AC voltage									
D30S (short head)	 S2ER-E2R□	S2ER-E2RA(M)	1EA	—	—	—									
		S2ER-E2R2A(M)	2EA	—											
		S2ER-E2R3A(M)	3EA	—											
		S2ER-E2RB(M)	—	1EA											
		S2ER-E2R2B(M)	—	2EA											
		S2ER-E2R3B(M)	—	3EA											
		S2ER-E2RAB(M)	1EA	1EA											
		S2ER-E2R2AB(M)	2EA	1EA											
		S2ER-E2RA2B(M)	1EA	2EA											
※The (M) in the model name indicates modular type contacts. Models without (M) are singular types. ※The control unit and contact blocks are sold separately. (control unit: bold letters, contact block: regular letters)															
• Dimensions (unit: mm)															
															
<table border="1" style="margin-left: auto; margin-right: auto;"> <thead> <tr> <th></th> <th>A</th> <th>B</th> </tr> </thead> <tbody> <tr> <td>Singular type contact</td> <td>48.5</td> <td>27.0</td> </tr> <tr> <td>Modular type contact</td> <td>46.5</td> <td>25.0</td> </tr> </tbody> </table>								A	B	Singular type contact	48.5	27.0	Modular type contact	46.5	25.0
	A	B													
Singular type contact	48.5	27.0													
Modular type contact	46.5	25.0													
※For panel cut-out dimensions, please refer to page A-36.															

Control Switches

Ø22/25

Ø30

□30

Round Push Button Switches

Square Push Button Switches

Selector Switches

Key Selector Switches

Double Push Button Switches

Mushroom-head Push Button Switches

Emergency Switches

Pilot Lights

Accessories

Buzzers

Modular Terminal Blocks

TUM(Spring Type)

TUW1(Dual Spring Type)

TM(Manual Type)

I/O Terminal Blocks

AFS(Interface Terminal Block)

AFJ/AFR(Interface Terminal Block)

ACS(Common Terminal Block)

AFE(Sensor Connector Terminal Block)

ABS(Relay Terminal Block)

ABL(Relay Terminal Block)

Power Relay

I/O Cables

MITUBISHI

LSIS

Autonics

RS Automation

YOKOGAWA

FUJI

KDT

OMRON

TELEMECANIQUE

For SERVO

Open Type Cables

Cable Appearance

Remote I/O Terminal Blocks

ARD(DeviceNet Digital Standard Terminal Type)

ARD(DeviceNet Digital Sensor Connector Type)

ARD(DeviceNet Analog Standard Terminal Type)

ARM(Modbus Digital Sensor Connector Type)

Others

Sensor Connectors


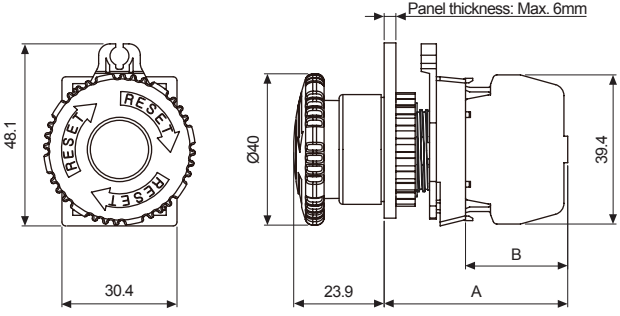

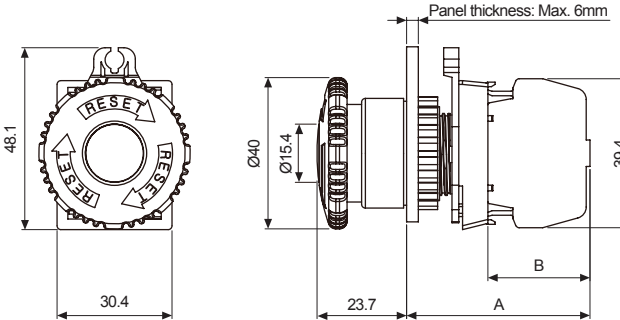
Sockets


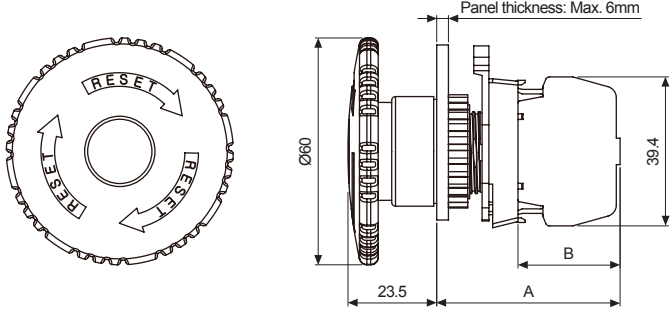
Sensor Distribution Boxes

Valve Plugs

Thumbwheel Switches

Ø22/25 Emergency Switches (S2ER Series)

Type	Appearance	Model	Contact block		LED block										
			A contact	B contact	AC/DC voltage	AC voltage									
D40 (short head)	 <p>S2ER-E3R□</p>	S2ER-E3RA (M)	1EA	—	—	—									
		S2ER-E3RA (M)	2EA	—											
		S2ER-E3R3A (M)	3EA	—											
		S2ER-E3RB (M)	—	1EA											
		S2ER-E3R2B (M)	—	2EA											
		S2ER-E3R3B (M)	—	3EA											
		S2ER-E3RAB (M)	1EA	1EA											
		S2ER-E3R2AB (M)	2EA	1EA											
		S2ER-E3RA2B (M)	1EA	2EA											
		<p>※The (M) in the model name indicates modular type contacts. Models without (M) are singular types. ※The control unit and contact blocks are sold separately. (control unit: bold letters, contact block: regular letters)</p> <p>• Dimensions (unit: mm)</p> <div style="display: flex; align-items: center;">  <table border="1" style="margin-left: 20px;"> <thead> <tr> <th></th> <th>A</th> <th>B</th> </tr> </thead> <tbody> <tr> <td>Singular type contact</td> <td>48.5</td> <td>27.0</td> </tr> <tr> <td>Modular type contact</td> <td>46.5</td> <td>25.0</td> </tr> </tbody> </table> </div> <p style="text-align: right;">※For panel cut-out dimensions, please refer to page A-36.</p>								A	B	Singular type contact	48.5	27.0	Modular type contact
	A	B													
Singular type contact	48.5	27.0													
Modular type contact	46.5	25.0													
Type	Appearance	Model	Contact block		LED block										
			A contact	B contact	AC/DC voltage	AC voltage									
D40 (short head/ illuminated)	 <p>S2ER-E4R□</p>	S2ER-E4RAD (M)	1EA	—	1EA	—									
		S2ER-E4R2AD (M)	2EA	—	1EA	—									
		S2ER-E4R3A (M)	3EA	—	—	—									
		S2ER-E4RBD (M)	—	1EA	1EA	—									
		S2ER-E4R2BD (M)	—	2EA	1EA	—									
		S2ER-E4R3B (M)	—	3EA	—	—									
		S2ER-E4RABL (M)	1EA	1EA	—	1EA									
		S2ER-E4R2AB (M)	2EA	1EA	—	—									
		S2ER-E4RA2B (M)	1EA	2EA	—	—									
		<p>※The (M) in the model name indicates modular type contacts. Models without (M) are singular types. ※The control unit, contact blocks, LED blocks are sold separately. (control unit: bold letters, Contact block, LED block: regular letters)</p> <p>• Dimensions (unit: mm)</p> <div style="display: flex; align-items: center;">  <table border="1" style="margin-left: 20px;"> <thead> <tr> <th></th> <th>A</th> <th>B</th> </tr> </thead> <tbody> <tr> <td>Singular type contact</td> <td>48.5</td> <td>27.0</td> </tr> <tr> <td>Modular type contact</td> <td>46.5</td> <td>25.0</td> </tr> </tbody> </table> </div> <p style="text-align: right;">※For panel cut-out dimensions, please refer to page A-36.</p>								A	B	Singular type contact	48.5	27.0	Modular type contact
	A	B													
Singular type contact	48.5	27.0													
Modular type contact	46.5	25.0													


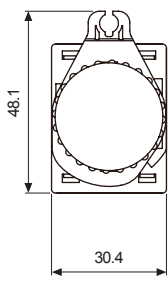
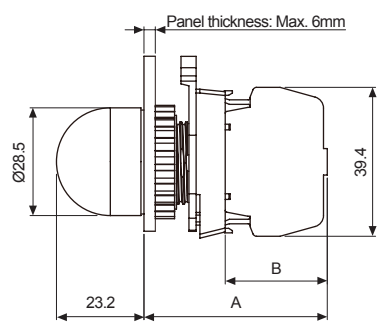

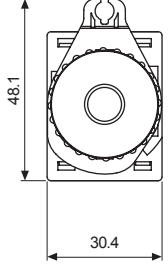
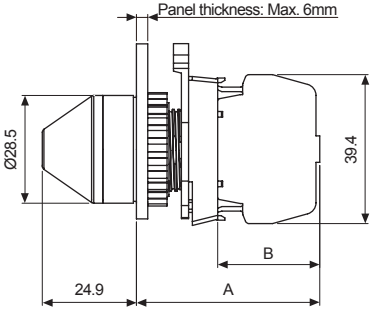
Type	Appearance	Model	Contact block		LED block										
			A contact	B contact	AC/DC voltage	AC voltage									
D60 (short head)	 <p>S2ER-E5R□</p>	S2ER-E5RA (M)	1EA	—	—	—									
		S2ER-E5R2A (M)	2EA	—											
		S2ER-E5R3A (M)	3EA	—											
		S2ER-E5RB (M)	—	1EA											
		S2ER-E5R2B (M)	—	2EA											
		S2ER-E5R3B (M)	—	3EA											
		S2ER-E5RAB (M)	1EA	1EA											
		S2ER-E5R2AB (M)	2EA	1EA											
		S2ER-E5RA2B (M)	1EA	2EA											
<p>※The (M) in the model name indicates modular type contacts. Models without (M) are singular types. ※The control unit and contact blocks are sold separately. (control unit: bold letters, contact block: regular letters)</p> <p>• Dimensions (unit: mm)</p> <div style="display: flex; align-items: center; justify-content: space-around;">  <table border="1" style="margin-left: auto; margin-right: auto;"> <thead> <tr> <th></th> <th>A</th> <th>B</th> </tr> </thead> <tbody> <tr> <td>Singular type contact</td> <td>48.5</td> <td>27.0</td> </tr> <tr> <td>Modular type contact</td> <td>46.5</td> <td>25.0</td> </tr> </tbody> </table> </div> <p style="text-align: center;">※For panel cut-out dimensions, please refer to page A-36.</p>								A	B	Singular type contact	48.5	27.0	Modular type contact	46.5	25.0
	A	B													
Singular type contact	48.5	27.0													
Modular type contact	46.5	25.0													

- Control Switches
 - Ø22/25
 - Ø30
 - 30
 - Round Push Button Switches
 - Square Push Button Switches
 - Selector Switches
 - Key Selector Switches
 - Double Push Button Switches
 - Mushroom-head Push Button Switches
- Emergency Switches
 - Pilot Lights
 - Accessories
- Buzzers
- Modular Terminal Blocks
 - TUM(Spring Type)
 - TUW1(Dual Spring Type)
 - TM(Manual Type)
- I/O Terminal Blocks
 - AFS(Interface Terminal Block)
 - AFJ/AFR(Interface Terminal Block)
 - ACS(Common Terminal Block)
 - AFE(Sensor Connector Terminal Block)
 - ABS(Relay Terminal Block)
 - ABL(Relay Terminal Block)
 - Power Relay
- I/O Cables
 - MITUBISHI
 - LSIS
 - Autonics
 - RS Automation
 - YOKOGAWA
 - FUJI
 - KDT
 - OMRON
 - TELEMECANIQUE
 - For SERVO
 - Open Type Cables
 - Cable Appearance
- Remote I/O Terminal Blocks
 - ARD(DeviceNet Digital Standard Terminal Type)
 - ARD(DeviceNet Digital Sensor Connector Type)
 - ARD(DeviceNet Analog Standard Terminal Type)
 - ARM(Modbus Digital Sensor Connector Type)
- Others
 - Sensor Connectors
 - Sockets
 - Sensor Distribution Boxes
 - Valve Plugs
 - Thumbwheel Switches


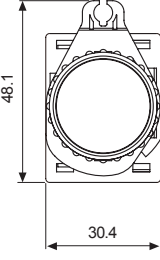
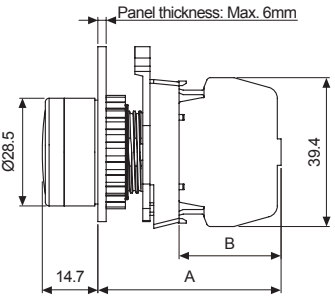

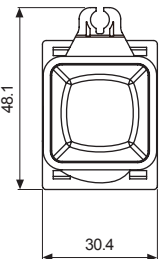
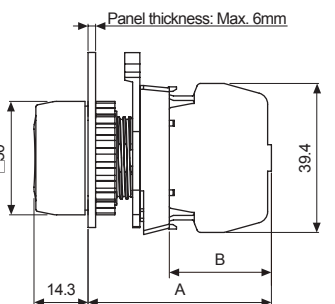


Ø22/25 Pilot Lights

Ø22/25 Pilot Lights (L2RR Series)

Type	Appearance	Model	Contact block		LED block										
			A contact	B contact	AC/DC voltage	AC voltage									
Dome head (extended)	 <p>L2RR-L1G□</p>	L2RR-L1□D(M)	—	—	1EA	—									
		L2RR-L1□L(M)	—	—	—	1EA									
<p>※□ indicates color: R (red), B (blue), G (green), Y (yellow), W (white) ※The (M) in the model name indicates modular type contacts. Models without (M) are singular types. ※The light unit and led blocks are sold separately. (light unit: bold letters, LED block: regular letters) ※The LED color is the same as the control unit.</p> <p>• Dimensions (unit: mm)</p> <div style="display: flex; justify-content: space-around; align-items: flex-start;"> <div style="text-align: center;">  <p>48.1 30.4</p> </div> <div style="text-align: center;">  <p>Panel thickness: Max. 6mm Ø28.5 23.2 39.4 A B</p> </div> <div style="border: 1px solid black; padding: 5px;"> <table border="1"> <thead> <tr> <th></th> <th>A</th> <th>B</th> </tr> </thead> <tbody> <tr> <td>Singular type contact</td> <td>48.5</td> <td>27.0</td> </tr> <tr> <td>Modular type contact</td> <td>46.5</td> <td>25.0</td> </tr> </tbody> </table> </div> </div> <p style="text-align: right;">※For panel cut-out dimensions, please refer to page A-36.</p>								A	B	Singular type contact	48.5	27.0	Modular type contact	46.5	25.0
	A	B													
Singular type contact	48.5	27.0													
Modular type contact	46.5	25.0													
Horn head (extended)	 <p>L2RR-L2Y□</p>	L2RR-L2□D(M)	—	—	1EA	—									
		L2RR-L2□L(M)	—	—	—	1EA									
<p>※□ indicates color: R (red), B (blue), G (green), Y (yellow), W (white) ※The (M) in the model name indicates modular type contacts. Models without (M) are singular types. ※The light unit and led blocks are sold separately. (light unit: bold letters, LED block: regular letters) ※The LED color is the same as the control unit.</p> <p>• Dimensions (unit: mm)</p> <div style="display: flex; justify-content: space-around; align-items: flex-start;"> <div style="text-align: center;">  <p>48.1 30.4</p> </div> <div style="text-align: center;">  <p>Panel thickness: Max. 6mm Ø28.5 24.9 39.4 A B</p> </div> <div style="border: 1px solid black; padding: 5px;"> <table border="1"> <thead> <tr> <th></th> <th>A</th> <th>B</th> </tr> </thead> <tbody> <tr> <td>Singular type contact</td> <td>48.5</td> <td>27.0</td> </tr> <tr> <td>Modular type contact</td> <td>46.5</td> <td>25.0</td> </tr> </tbody> </table> </div> </div> <p style="text-align: right;">※For panel cut-out dimensions, please refer to page A-36.</p>								A	B	Singular type contact	48.5	27.0	Modular type contact	46.5	25.0
	A	B													
Singular type contact	48.5	27.0													
Modular type contact	46.5	25.0													



Type	Appearance	Model	Contact block		LED block										
			A contact	B contact	AC/DC voltage	AC voltage									
Flat round (extended)	 <p>L2RR-L3R□</p>	L2RR-L3□D(M)	—	—	1EA	—									
		L2RR-L3□L(M)			—	1EA									
<p>※□ indicates color: R (red), B (blue), G (green), Y (yellow), W (white) ※The (M) in the model name indicates modular type contacts. Models without (M) are singular types. ※The light unit and led blocks are sold separately. (light unit: bold letters, LED block: regular letters) ※The LED color is the same as the control unit.</p> <p>• Dimensions (unit: mm)</p> <div style="display: flex; justify-content: space-around; align-items: flex-start;"> <div style="text-align: center;">  <p>48.1</p> <p>30.4</p> </div> <div style="text-align: center;">  <p>Panel thickness: Max. 6mm</p> <p>Ø28.5</p> <p>14.7</p> <p>39.4</p> <p>A</p> <p>B</p> </div> <div style="border: 1px solid black; padding: 5px;"> <table border="1"> <thead> <tr> <th></th> <th>A</th> <th>B</th> </tr> </thead> <tbody> <tr> <td>Singular type contact</td> <td>48.5</td> <td>27.0</td> </tr> <tr> <td>Modular type contact</td> <td>46.5</td> <td>25.0</td> </tr> </tbody> </table> </div> </div> <p style="text-align: right;">※For panel cut-out dimensions, please refer to page A-36.</p>								A	B	Singular type contact	48.5	27.0	Modular type contact	46.5	25.0
	A	B													
Singular type contact	48.5	27.0													
Modular type contact	46.5	25.0													
Flat square (extended)	 <p>L2RR-L4B□</p>	L2RR-L4□D(M)	—	—	1EA	—									
		L2RR-L4□L(M)			—	1EA									
<p>※□ indicates color: R (red), B (blue), G (green), Y (yellow), W (white) ※The (M) in the model name indicates modular type contacts. Models without (M) are singular types. ※The light unit and led blocks are sold separately. (light unit: bold letters, LED block: regular letters) ※The LED color is the same as the control unit.</p> <p>• Dimensions (unit: mm)</p> <div style="display: flex; justify-content: space-around; align-items: flex-start;"> <div style="text-align: center;">  <p>48.1</p> <p>30.4</p> </div> <div style="text-align: center;">  <p>Panel thickness: Max. 6mm</p> <p>Ø30</p> <p>14.3</p> <p>39.4</p> <p>A</p> <p>B</p> </div> <div style="border: 1px solid black; padding: 5px;"> <table border="1"> <thead> <tr> <th></th> <th>A</th> <th>B</th> </tr> </thead> <tbody> <tr> <td>Singular type contact</td> <td>48.5</td> <td>27.0</td> </tr> <tr> <td>Modular type contact</td> <td>46.5</td> <td>25.0</td> </tr> </tbody> </table> </div> </div> <p style="text-align: right;">※For panel cut-out dimensions, please refer to page A-36.</p>								A	B	Singular type contact	48.5	27.0	Modular type contact	46.5	25.0
	A	B													
Singular type contact	48.5	27.0													
Modular type contact	46.5	25.0													

Control Switches

Ø22/25

Ø30

□30

Round Push Button Switches

Square Push Button Switches

Selector Switches

Key Selector Switches

Double Push Button Switches

Mushroom-head Push Button Switches

Emergency Switches

Pilot Lights

Accessories

Buzzers

Modular Terminal Blocks

TUM(Spring Type)

TUW*(Dual Spring Type)

TM(Manual Type)

I/O Terminal Blocks

AFS(Interface Terminal Block)

AFJ/AFR(Interface Terminal Block)

ACS(Common Terminal Block)

AFE(Sensor Connector Terminal Block)

ABS(Relay Terminal Block)

ABL(Relay Terminal Block)

Power Relay

I/O Cables

MITUBISHI

LSIS

Autonics

RS Automation

YOKOGAWA

FUJI

KDT

OMRON

TELEMECANIQUE

For SERVO

Open Type Cables

Cable Appearance

Remote I/O Terminal Blocks

ARD(DeviceNet Digital Standard Terminal Type)

ARD(DeviceNet Digital Sensor Connector Type)

ARD(DeviceNet Analog Standard Terminal Type)

ARM(Modbus Digital Sensor Connector Type)

Others

Sensor Connectors

Sockets

Sensor Distribution Boxes

Valve Plugs

Thumbwheel Switches



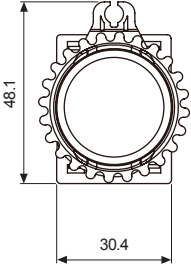
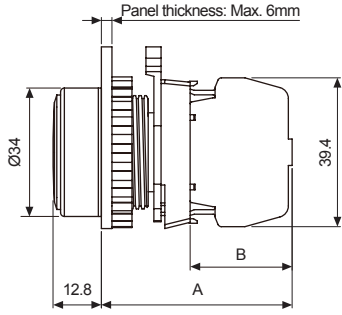


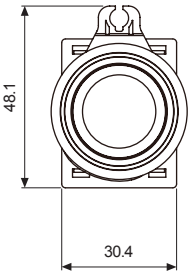
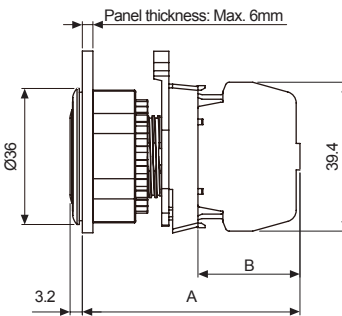
Ø22/25 Panel Cut-Out Dimensions

Ø22/25 Panel Cut-Out Dimensions

(unit: mm)


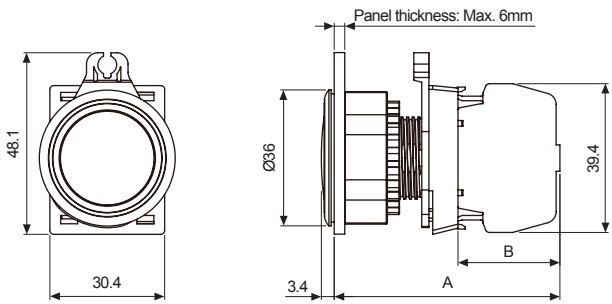
Type	A	B	Panel cut-out dimensions	
Round/Square push button switches (S2PR/S2PRS Series)	33	55	<p><Mounting hole:Ø25></p> <p>Min. A^{±0.5}</p> <p>Ø25.5</p> <p><Mounting hole:Ø22></p> <p>R1 3</p> <p>Ø22.5</p> <p>13</p> <p>Min. B^{±0.5}</p>	
Selector switches (S2SR/S2SRN Series)	Short lever	33		
	Long lever	55		
Key selector switches (S2KR Series)	33	55		
Double push button switches (S2TR Series)	33	60		
Mushroom-head push button switches (S2BR Series)	33	55		
Emergency switches (S2ER Series)	D30	33		
	D40	55		
	D60	80		
Pilot lights (L2RR Series)	33	55		

Ø30 Round Push Button Switches (S3PR Series)

Type	Appearance	Model	Contact block		LED block										
			A contact	B contact	AC/DC voltage	AC voltage									
Extended	 <p>S3PR-P1R□</p> 	S3PR-P1□A(M)	1EA	—	—	—									
		S3PR-P1□2A(M)	2EA	—											
		S3PR-P1□3A(M)	3EA	—											
		S3PR-P1□B(M)	—	1EA											
		S3PR-P1□2B(M)	—	2EA											
		S3PR-P1□3B(M)	—	3EA											
		S3PR-P1□AB(M)	1EA	1EA											
		S3PR-P1□2AB(M)	2EA	1EA											
		S3PR-P1□A2B(M)	1EA	2EA											
<p>※□ indicates color: R (red), B (blue), G (green), Y (yellow), K (black)</p> <p>※The (M) in the model name indicates modular type contacts. Models without (M) are singular types.</p> <p>※The control unit and contact blocks are sold separately. (control unit: bold letters, contact block: regular letters)</p> <p>• Dimensions (unit: mm)</p> <div style="display: flex; align-items: center; justify-content: space-around;">   <table border="1" style="margin-left: auto;"> <thead> <tr> <th></th> <th>A</th> <th>B</th> </tr> </thead> <tbody> <tr> <td>Singular type contact</td> <td>50.5</td> <td>27.0</td> </tr> <tr> <td>Modular type contact</td> <td>48.5</td> <td>25.0</td> </tr> </tbody> </table> </div> <p style="text-align: right;">※For panel cut-out dimensions, please refer to page A-52.</p>								A	B	Singular type contact	50.5	27.0	Modular type contact	48.5	25.0
	A	B													
Singular type contact	50.5	27.0													
Modular type contact	48.5	25.0													
Type	Appearance	Model	Contact block		LED block										
Flush	 <p>S3PF-P1B□</p> 	S3PF-P1□A(M)	1EA	—	—	—									
		S3PF-P1□2A(M)	2EA	—											
		S3PF-P1□3A(M)	3EA	—											
		S3PF-P1□B(M)	—	1EA											
		S3PF-P1□2B(M)	—	2EA											
		S3PF-P1□3B(M)	—	3EA											
		S3PF-P1□AB(M)	1EA	1EA											
		S3PF-P1□2AB(M)	2EA	1EA											
		S3PF-P1□A2B(M)	1EA	2EA											
<p>※□ indicates color: R (red), B (blue), G (green), Y (yellow), K (black)</p> <p>※The (M) in the model name indicates modular type contacts. Models without (M) are singular types.</p> <p>※The control unit and contact blocks are sold separately. (control unit: bold letters, contact block: regular letters)</p> <p>• Dimensions (unit: mm)</p> <div style="display: flex; align-items: center; justify-content: space-around;">   <table border="1" style="margin-left: auto;"> <thead> <tr> <th></th> <th>A</th> <th>B</th> </tr> </thead> <tbody> <tr> <td>Singular type contact</td> <td>57.6</td> <td>27.0</td> </tr> <tr> <td>Modular type contact</td> <td>55.6</td> <td>25.0</td> </tr> </tbody> </table> </div> <p style="text-align: right;">※For panel cut-out dimensions, please refer to page A-52.</p>								A	B	Singular type contact	57.6	27.0	Modular type contact	55.6	25.0
	A	B													
Singular type contact	57.6	27.0													
Modular type contact	55.6	25.0													



Ø30 Round Push Button Switches

Type	Appearance	Model	Contact block		LED block										
			A contact	B contact	AC/DC voltage	AC voltage									
Flush (illuminated)	 S3PF-P3G□ S3PFU-P3G□	S3PF(U)-P3□AD(M)	1EA	—	1EA	—									
		S3PF(U)-P3□2AD(M)	2EA	—											
		S3PF(U)-P3□BD(M)	—	1EA											
		S3PF(U)-P3□2BD(M)	—	2EA											
		S3PF(U)-P3□ABD(M)	1EA	1EA	—	1EA									
		S3PF(U)-P3□AL(M)	1EA	—											
		S3PF(U)-P3□2AL(M)	2EA	—											
		S3PF(U)-P3□BL(M)	—	1EA											
		S3PF(U)-P3□2BL(M)	—	2EA											
		S3PF(U)-P3□ABL(M)	1EA	1EA											
※□ indicates color: R (red), B (blue), G (green), Y (yellow), W (white) ※Models without 'U' in the model name contain "Push" markings on the button cap. ※The (M) in the model name indicates modular type contacts. Models without (M) are singular types. ※The control unit, contact blocks, LED blocks are sold separately. (control unit: bold letters, contact and LED block: regular letters) ※The LED color is the same as the control unit.															
• Dimensions (unit: mm)															
 <table border="1" style="margin-left: auto; margin-right: auto;"> <thead> <tr> <th></th> <th>A</th> <th>B</th> </tr> </thead> <tbody> <tr> <td>Singular type contact</td> <td>59.8</td> <td>27.0</td> </tr> <tr> <td>Modular type contact</td> <td>57.8</td> <td>25.0</td> </tr> </tbody> </table>								A	B	Singular type contact	59.8	27.0	Modular type contact	57.8	25.0
	A	B													
Singular type contact	59.8	27.0													
Modular type contact	57.8	25.0													
※For panel cut-out dimensions, please refer to page A-52.															

Control Switches

Ø22/25

Ø30

□30

Round Push Button Switches

Square Push Button Switches

Selector Switches

Key Selector Switches

Double Push Button Switches

Mushroom-head Push Button Switches

Emergency Switches

Pilot Lights

Accessories

Buzzers

Modular Terminal Blocks

TUM(Spring Type)
TUW1(Dual Spring Type)
TM(Manual Type)

I/O Terminal Blocks

AFS(Interface Terminal Block)

AFJ/AFR(Interface Terminal Block)

ACS(Common Terminal Block)

AFE(Sensor Connector Terminal Block)

ABS(Relay Terminal Block)

ABL(Relay Terminal Block)

Power Relay

I/O Cables

MITUBISHI

LSIS

Autonics

RS Automation

YOKOGAWA

FUJI

KDT

OMRON

TELEMECANIQUE

For SERVO

Open Type Cables

Cable Appearance

Remote I/O Terminal Blocks

ARD(DeviceNet Digital Standard Terminal Type)

ARD(DeviceNet Digital Sensor Connector Type)

ARD(DeviceNet Analog Standard Terminal Type)

ARM(Modbus Digital Sensor Connector Type)

Others

Sensor Connectors

Sockets


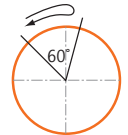
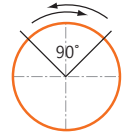
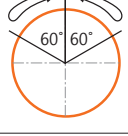
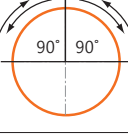
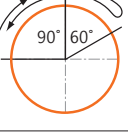
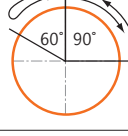
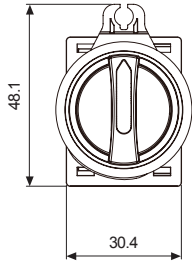
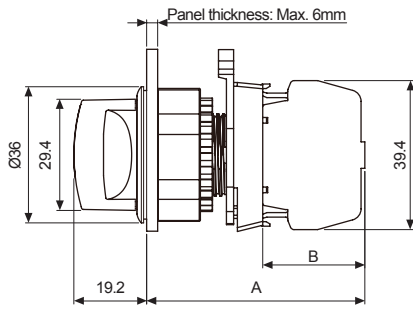
Sensor Distribution Boxes



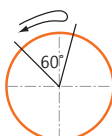
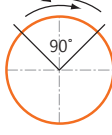
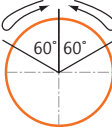
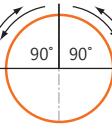
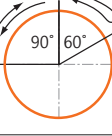
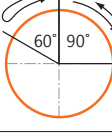
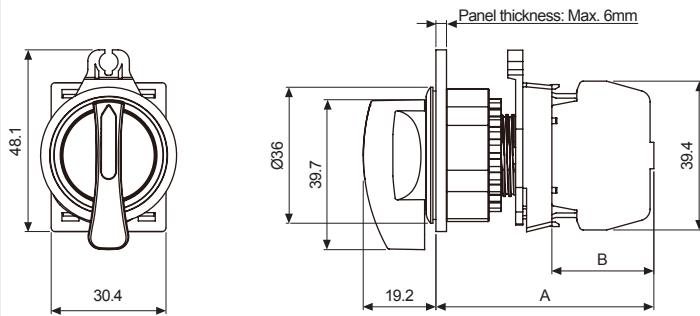
Valve Plugs

Thumbwheel Switches

Ø30 Selector Switches


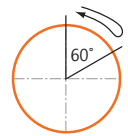
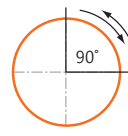
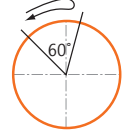
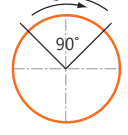
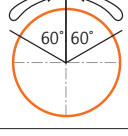
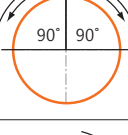
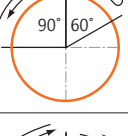
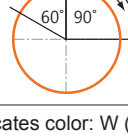
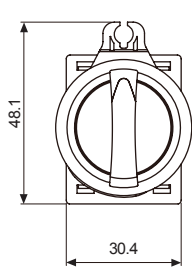
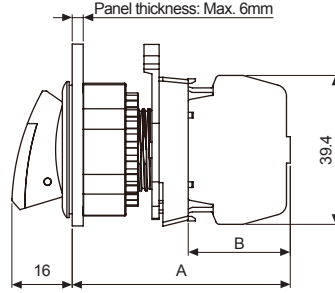
Ø30 Standard Lever Selector Switches (S3SF Series)


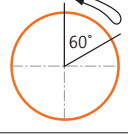
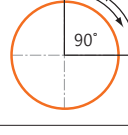
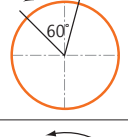
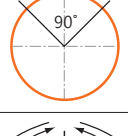
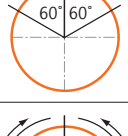
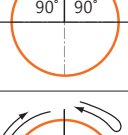
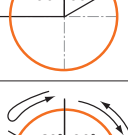
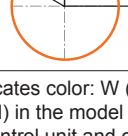
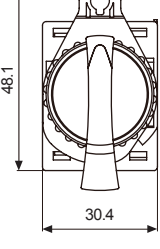
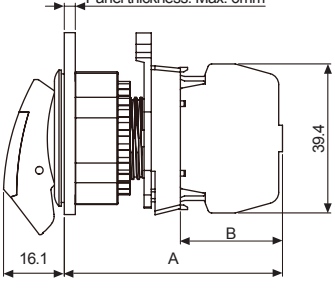
Type	Appearance	Operating position	Model	Contact block		LED block										
				A contact	B contact	AC/DC voltage	AC voltage									
Standard short lever, flush	 <p>S3SF-S1R□</p>	2-position, spring return	 S3SF-S1□A(M)	1EA	—	—	—									
			S3SF-S1□2A(M)	2EA	—											
			S3SF-S1□B(M)	—	1EA											
			S3SF-S1□2B(M)	—	2EA											
			S3SF-S1□AB(M)	1EA	1EA											
		2-position, main-tained	 S3SF-S3□A(M)	1EA	—											
			S3SF-S3□2A(M)	2EA	—											
			S3SF-S3□B(M)	—	1EA											
			S3SF-S3□2B(M)	—	2EA											
			S3SF-S3□AB(M)	1EA	1EA											
		3-position, spring return two-way	 S3SF-S5□2A(M)	2EA	—											
			S3SF-S5□2B(M)	—	2EA											
			S3SF-S5□AB(M)	1EA	1EA											
		3-position, main-tained	 S3SF-S7□2A(M)	2EA	—											
			S3SF-S7□2B(M)	—	2EA											
			S3SF-S7□AB(M)	1EA	1EA											
		3-position, spring return from right	 S3SF-SA□2A(M)	2EA	—											
			S3SF-SA□2B(M)	—	2EA											
			S3SF-SA□AB(M)	1EA	1EA											
		3-position, spring return from left	 S3SF-SC□2A(M)	2EA	—											
			S3SF-SC□2B(M)	—	2EA											
			S3SF-SC□AB(M)	1EA	1EA											
		<p>※□ indicates color: W (white), R (red) ※The (M) in the model name indicates modular type contacts. Models without (M) are singular types. ※The control unit and contact blocks are sold separately. (control unit: bold letters, contact block: regular letters) ※Connect up to 2 contact blocks. Connect the contact blocks only on the side slots. It will not operate if connected to the center slot.</p>														
		<p>• Dimensions (unit: mm)</p> <div style="display: flex; justify-content: space-around; align-items: flex-start;"> <div style="text-align: center;">  <p>48.1 30.4</p> </div> <div style="text-align: center;">  <p>Panel thickness: Max. 6mm Ø36 29.4 19.2 39.4 A B</p> </div> <div style="border: 1px solid black; padding: 5px;"> <table border="1"> <thead> <tr> <th></th> <th>A</th> <th>B</th> </tr> </thead> <tbody> <tr> <td>Singular type contact</td> <td>57.7</td> <td>27.0</td> </tr> <tr> <td>Modular type contact</td> <td>55.7</td> <td>25.0</td> </tr> </tbody> </table> </div> </div> <p style="text-align: right;">※For panel cut-out dimensions, please refer to page A-52.</p>									A	B	Singular type contact	57.7	27.0	Modular type contact
	A	B														
Singular type contact	57.7	27.0														
Modular type contact	55.7	25.0														

Type	Appearance	Operating position	Model	Contact block		LED block	
				A contact	B contact	AC/DC voltage	AC voltage
Standard long lever, flush	 S3SF-S2W□ 	2-position, spring return 	S3SF-S2□A(M)	1EA	—	—	—
			S3SF-S2□2A(M)	2EA	—		
			S3SF-S2□B(M)	—	1EA		
			S3SF-S2□2B(M)	—	2EA		
			S3SF-S2□AB(M)	1EA	1EA		
		2-position, main-tained 	S3SF-S4□A(M)	1EA	—		
			S3SF-S4□2A(M)	2EA	—		
			S3SF-S4□B(M)	—	1EA		
			S3SF-S4□2B(M)	—	2EA		
			S3SF-S4□AB(M)	1EA	1EA		
		3-position, spring return two-way 	S3SF-S6□2A(M)	2EA	—		
			S3SF-S6□2B(M)	—	2EA		
			S3SF-S6□2AB(M)	1EA	1EA		
		3-position, main-tained 	S3SF-S8□2A(M)	2EA	—		
			S3SF-S8□2B(M)	—	2EA		
			S3SF-S8□AB(M)	1EA	1EA		
		3-position, spring return from right 	S3SF-SB□2A(M)	2EA	—		
			S3SF-SB□2B(M)	—	2EA		
			S3SF-SB□AB(M)	1EA	1EA		
		3-position, spring return from left 	S3SF-SD□2A(M)	2EA	—		
			S3SF-SD□2B(M)	—	2EA		
S3SF-SD□AB(M)	1EA		1EA				
※□ indicates color: W (white), R (red) ※The (M) in the model name indicates modular type contacts. Models without (M) are singular types. ※The control unit and contact blocks are sold separately. (control unit: bold letters, contact block: regular letters) ※Connect up to 2 contact blocks. Connect the contact blocks only on the side slots. It will not operate if connected to the center slot.							
• Dimensions (unit: mm)							
							
※For panel cut-out dimensions, please refer to page A-52.							


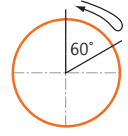
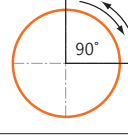
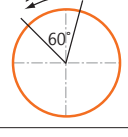
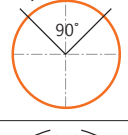
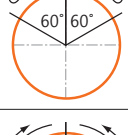
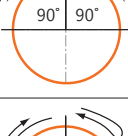
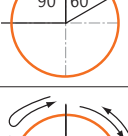
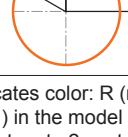
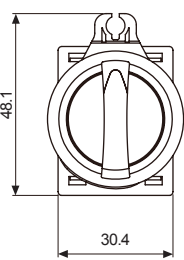
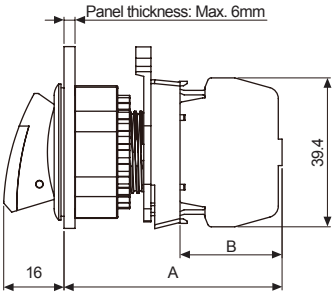
	A	B
Singular type contact	57.7	27.0
Modular type contact	55.7	25.0


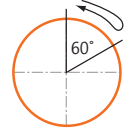
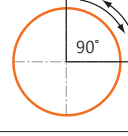
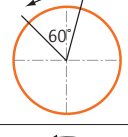
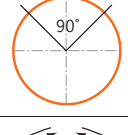
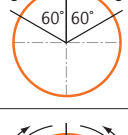
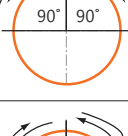
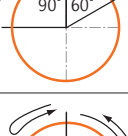
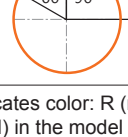
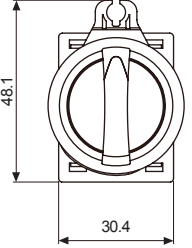
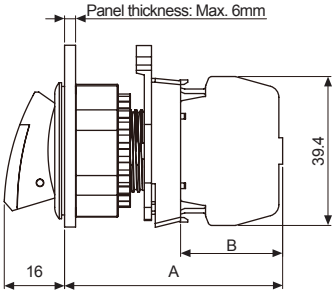
Ø30 Shark-Head Lever Selector Switches (S3SFN Series)

Type	Appearance	Operating position		Model	Contact block		LED block														
					A contact	B contact	AC/DC voltage	AC voltage													
Short shark-head lever, flush	 <p>S3SFN-S1AW□</p>	2-position, spring return		S3SFN-S1A□A(M)	1EA	—	—	—													
				S3SFN-S1A□2A(M)	2EA	—															
				S3SFN-S1A□B(M)	—	1EA															
				S3SFN-S1A□2B(M)	—	2EA															
		2-position, maintained		S3SFN-S3A□A(M)	1EA	—															
				S3SFN-S3A□2A(M)	2EA	—															
				S3SFN-S3A□B(M)	—	1EA															
				S3SFN-S3A□2B(M)	—	2EA															
		2-position, spring return		S3SFN-S1B□A(M)	1EA	—															
				S3SFN-S1B□2A(M)	2EA	—															
				S3SFN-S1B□B(M)	—	1EA															
				S3SFN-S1B□2B(M)	—	2EA															
		2-position, maintained		S3SFN-S3B□A(M)	1EA	—															
				S3SFN-S3B□2A(M)	2EA	—															
				S3SFN-S3B□B(M)	—	1EA															
				S3SFN-S3B□2B(M)	—	2EA															
		3-position, spring return two-way		S3SFN-S5□2A(M)	2EA	—															
				S3SFN-S5□2B(M)	—	2EA															
				S3SFN-S5□AB(M)	1EA	1EA															
		3-position, maintained		S3SFN-S7□2A(M)	2EA	—															
				S3SFN-S7□2B(M)	—	2EA															
				S3SFN-S7□AB(M)	1EA	1EA															
		3-position, spring return from right		S3SFN-SA□2A(M)	2EA	—															
				S2SFN-SA□2B(M)	—	2EA															
				S2SFN-SA□AB(M)	1EA	1EA															
		3-position, spring return from left		S2SFN-SC□2A(M)	2EA	—															
				S2SFN-SC□2B(M)	—	2EA															
				S2SFN-SC□AB(M)	1EA	1EA															
		<p>※□ indicates color: W (white), R (red) ※The (M) in the model name indicates modular type contacts. Models without (M) are singular types. ※The control unit and contact blocks are sold separately. (control unit: bold letters, contact block: regular letters) ※Connect up to 2 contact blocks. Connect the contact blocks only on the side slots. It will not operate if connected to the center slot.</p>																			
		<p>• Dimensions (unit: mm)</p> <div style="display: flex; justify-content: space-around; align-items: flex-start;"> <div style="text-align: center;">  <p>48.1 30.4</p> </div> <div style="text-align: center;">  <p>Panel thickness: Max. 6mm 39.4 16 A B</p> </div> <div style="border: 1px solid black; padding: 5px;"> <table border="1"> <thead> <tr> <th></th> <th>A</th> <th>B</th> </tr> </thead> <tbody> <tr> <td>Singular type contact</td> <td>57.7</td> <td>27.0</td> </tr> <tr> <td>Modular type contact</td> <td>55.7</td> <td>25.0</td> </tr> </tbody> </table> </div> </div> <p style="text-align: right;">※For panel cut-out dimensions, please refer to page A-52.</p>										A	B	Singular type contact	57.7	27.0	Modular type contact	55.7	25.0		
			A	B																	
		Singular type contact	57.7	27.0																	
		Modular type contact	55.7	25.0																	

Type	Appearance	Operating position		Model	Contact block		LED block										
					A contact	B contact	AC/DC voltage	AC voltage									
Long shark-head lever, flush	 <p>S3SFN-S2AR□</p>	2-position, spring return		S3SFN-S2A□A(M)	1EA	—	—	—									
				S3SFN-S2A□2A(M)	2EA	—											
				S3SFN-S2A□B(M)	—	1EA											
				S3SFN-S2A□2B(M)	—	2EA											
		2-position, maintained		S3SFN-S4A□A(M)	1EA	—											
				S3SFN-S4A□2A(M)	2EA	—											
				S3SFN-S4A□B(M)	—	1EA											
				S3SFN-S4A□2B(M)	—	2EA											
		2-position, spring return		S3SFN-S2B□A(M)	1EA	—											
				S3SFN-S2B□2A(M)	2EA	—											
				S3SFN-S2B□B(M)	—	1EA											
				S3SFN-S2B□2B(M)	—	2EA											
		2-position, maintained		S3SFN-S4B□A(M)	1EA	—											
				S3SFN-S4B□2A(M)	2EA	—											
				S3SFN-S4B□B(M)	—	1EA											
				S3SFN-S4B□2B(M)	—	2EA											
		3-position, spring return two-way		S3SFN-S6□2A(M)	2EA	—											
				S3SFN-S6□2B(M)	—	2EA											
				S3SFN-S6□AB(M)	1EA	1EA											
		3-position, maintained		S3SFN-S8□2A(M)	2EA	—											
				S3SFN-S8□2B(M)	—	2EA											
				S3SFN-S8□AB(M)	1EA	1EA											
		3-position, spring return from right		S3SFN-SB□2A(M)	2EA	—											
				S3SFN-SB□2B(M)	—	2EA											
				S3SFN-SB□AB(M)	1EA	1EA											
		3-position, spring return from left		S3SFN-SD□2A(M)	2EA	—											
				S3SFN-SD□2B(M)	—	2EA											
				S3SFN-SD□AB(M)	1EA	1EA											
<p>※□ indicates color: W (white), R (red) ※The (M) in the model name indicates modular type contacts. Models without (M) are singular types. ※The control unit and contact blocks are sold separately. (control unit: bold letters, contact block: regular letters) ※Connect up to 2 contact blocks. Connect the contact blocks only on the side slots. It will not operate if connected to the center slot.</p> <p>• Dimensions</p> <div style="display: flex; justify-content: space-around; align-items: flex-end;"> <div style="text-align: center;">  <p>48.1 30.4</p> </div> <div style="text-align: center;">  <p>Panel thickness: Max. 6mm 16.1 39.4 A B</p> </div> <div style="text-align: right;"> <p>(unit: mm)</p> <table border="1"> <tr> <td></td> <td>A</td> <td>B</td> </tr> <tr> <td>Singular type contact</td> <td>57.7</td> <td>27.0</td> </tr> <tr> <td>Modular type contact</td> <td>55.7</td> <td>25.0</td> </tr> </table> </div> </div> <p>※For panel cut-out dimensions, please refer to page A-52.</p>										A	B	Singular type contact	57.7	27.0	Modular type contact	55.7	25.0
	A	B															
Singular type contact	57.7	27.0															
Modular type contact	55.7	25.0															



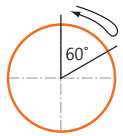
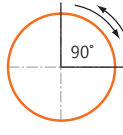
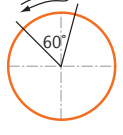
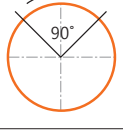
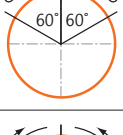
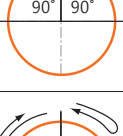
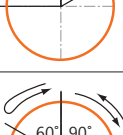
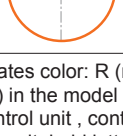
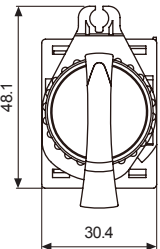
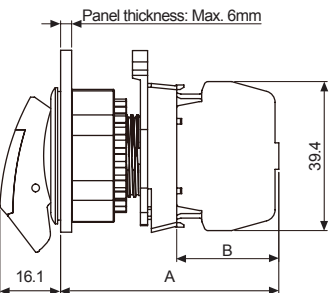
Ø30 Selector Switches


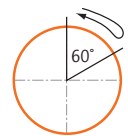
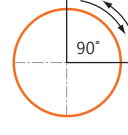
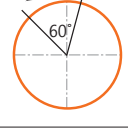
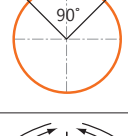
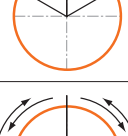
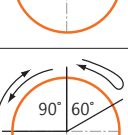
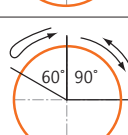
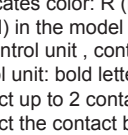
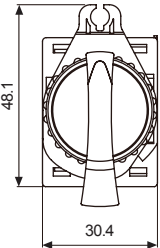
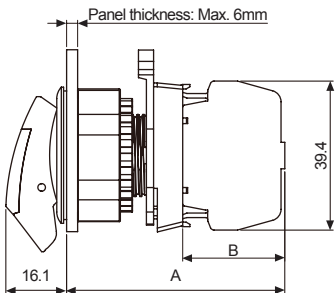
Type	Appearance	Operating position		Model	Contact block		LED block										
					A contact	B contact	AC/DC voltage	AC voltage									
Short shark-head lever, flush (illuminated)	 S3SFN-L1AG□	2-position, spring return		S3SFN-L1A□AL(M)	1EA	—	—	1EA									
				S3SFN-L1A□2AL(M)	2EA	—											
				S3SFN-L1A□BL(M)	—	1EA											
				S3SFN-L1A□2BL(M)	—	2EA											
				S3SFN-L1A□ABL(M)	1EA	1EA											
		2-position, maintained		S3SFN-L3A□AL(M)	1EA	—											
				S3SFN-L3A□2AL(M)	2EA	—											
				S3SFN-L3A□BL(M)	—	1EA											
				S3SFN-L3A□2BL(M)	—	2EA											
				S3SFN-L3A□ABL(M)	1EA	1EA											
		2-position, spring return		S3SFN-L1B□AL(M)	1EA	—											
				S3SFN-L1B□2AL(M)	2EA	—											
				S3SFN-L1B□BL(M)	—	1EA											
				S3SFN-L1B□2BL(M)	—	2EA											
				S3SFN-L1B□ABL(M)	1EA	1EA											
		2-position, maintained		S3SFN-L3B□AL(M)	1EA	—											
				S3SFN-L3B□2AL(M)	2EA	—											
				S3SFN-L3B□BL(M)	—	1EA											
				S3SFN-L3B□2BL(M)	—	2EA											
				S3SFN-L3B□ABL(M)	1EA	1EA											
		3-position, spring return two-way		S3SFN-L5□2AL(M)	2EA	—											
				S3SFN-L5□2BL(M)	—	2EA											
				S3SFN-L5□ABL(M)	1EA	1EA											
		3-position, maintained		S3SFN-L7□2AL(M)	2EA	—											
				S3SFN-L7□2BL(M)	—	2EA											
				S3SFN-L7□ABL(M)	1EA	1EA											
		3-position, spring return from right		S3SFN-LA□2AL(M)	2EA	—											
				S3SFN-LA□2BL(M)	—	2EA											
				S3SFN-LA□ABL(M)	1EA	1EA											
		3-position, spring return from left		S3SFN-LC□2AL(M)	2EA	—											
				S3SFN-LC□2BL(M)	—	2EA											
				S3SFN-LC□ABL(M)	1EA	1EA											
※□ indicates color: R (red), B (blue), G (green), Y (yellow) ※The (M) in the model name indicates modular type contacts. Models without (M) are singular types. ※Connect up to 2 contact blocks. Connect the contact blocks only on the side slots. It will not operate if connected to the center slot. ※The LED color is the same as the control unit.																	
• Dimensions (unit: mm)																	
<div style="display: flex; align-items: center;"> <div style="text-align: center;">  </div> <div style="margin-left: 20px;">  </div> <div style="margin-left: 20px;"> <table border="1"> <thead> <tr> <th></th> <th>A</th> <th>B</th> </tr> </thead> <tbody> <tr> <td>Singular type contact</td> <td>57.7</td> <td>27.0</td> </tr> <tr> <td>Modular type contact</td> <td>55.7</td> <td>25.0</td> </tr> </tbody> </table> </div> </div>										A	B	Singular type contact	57.7	27.0	Modular type contact	55.7	25.0
	A	B															
Singular type contact	57.7	27.0															
Modular type contact	55.7	25.0															
※For panel cut-out dimensions, please refer to page A-52.																	

Type	Appearance	Operating position		Model	Contact block		LED block										
					A contact	B contact	AC/DC voltage	AC voltage									
Short shark-head lever, flush (illuminated)	 <p style="text-align: center;">S3SFN-L1AG□</p>	2-position, spring return		S3SFN-L1A□AD(M)	1EA	—	1EA	—									
				S3SFN-L1A□2AD(M)	2EA	—											
				S3SFN-L1A□BD(M)	—	1EA											
				S3SFN-L1A□2BD(M)	—	2EA											
		2-position, maintained		S3SFN-L3A□AD(M)	1EA	—											
				S3SFN-L3A□2AD(M)	2EA	—											
				S3SFN-L3A□BD(M)	—	1EA											
				S3SFN-L3A□2BD(M)	—	2EA											
		2-position, spring return		S3SFN-L1B□AD(M)	1EA	—											
				S3SFN-L1B□2AD(M)	2EA	—											
				S3SFN-L1B□BD(M)	—	1EA											
				S3SFN-L1B□2BD(M)	—	2EA											
		2-position, maintained		S3SFN-L3B□AD(M)	1EA	—											
				S3SFN-L3B□2AD(M)	2EA	—											
				S3SFN-L3B□BD(M)	—	1EA											
				S3SFN-L3B□2BD(M)	—	2EA											
		3-position, spring return two-way		S3SFN-L5□2AD(M)	2EA	—											
				S3SFN-L5□2BD(M)	—	2EA											
				S3SFN-L5□ABD(M)	1EA	1EA											
		3-position, maintained		S3SFN-L7□2AD(M)	2EA	—											
				S3SFN-L7□2BD(M)	—	2EA											
				S3SFN-L7□ABD(M)	1EA	1EA											
		3-position, spring return from right		S3SFN-LA□2AD(M)	2EA	—											
				S3SFN-LA□2BD(M)	—	2EA											
				S3SFN-LA□ABD(M)	1EA	1EA											
		3-position, spring return from left		S3SFN-LC□2AD(M)	2EA	—											
				S3SFN-LC□2BD(M)	—	2EA											
				S3SFN-LC□ABD(M)	1EA	1EA											
<p>※□ indicates color: R (red), B (blue), G (green), Y (yellow)</p> <p>※The (M) in the model name indicates modular type contacts. Models without (M) are singular types.</p> <p>※Connect up to 2 contact blocks.</p> <p>Connect the contact blocks only on the side slots. It will not operate if connected to the center slot.</p> <p>※The LED color is the same as the control unit.</p>																	
<p>• Dimensions (unit: mm)</p> <div style="display: flex; justify-content: space-around; align-items: flex-start;"> <div style="text-align: center;">  <p>48.1</p> <p>30.4</p> </div> <div style="text-align: center;">  <p>Panel thickness: Max. 6mm</p> <p>16</p> <p>A</p> <p>B</p> <p>39.4</p> </div> <div style="border: 1px solid black; padding: 5px;"> <table border="1" style="width: 100%; border-collapse: collapse;"> <thead> <tr> <th></th> <th>A</th> <th>B</th> </tr> </thead> <tbody> <tr> <td>Singular type contact</td> <td>57.7</td> <td>27.0</td> </tr> <tr> <td>Modular type contact</td> <td>55.7</td> <td>25.0</td> </tr> </tbody> </table> </div> </div> <p style="text-align: center;">※For panel cut-out dimensions, please refer to page A-52.</p>										A	B	Singular type contact	57.7	27.0	Modular type contact	55.7	25.0
	A	B															
Singular type contact	57.7	27.0															
Modular type contact	55.7	25.0															

Control Switches
Ø22/25
Ø30
□30
Round Push Button Switches
Square Push Button Switches
Selector Switches
Key Selector Switches
Double Push Button Switches
Mushroom-head Push Button Switches
Emergency Switches
Pilot Lights
Accessories
Buzzers
Modular Terminal Blocks
TUM(Spring Type)
TUW1(Dual Spring Type)
TM(Manual Type)
I/O Terminal Blocks
AFS(Interface Terminal Block)
AFL/AFR(Interface Terminal Block)
ACS(Common Terminal Block)
AFE(Sensor Connector Terminal Block)
ABS(Relay Terminal Block)
ABL(Relay Terminal Block)
Power Relay
I/O Cables
MITUBISHI
LSIS
Autonics
RS Automation
YOKOGAWA
FUJI
KDT
OMRON
TELEMECANIQUE
For SERVO
Open Type Cables
Cable Appearance
Remote I/O Terminal Blocks
ARD(DeviceNet Digital Standard Terminal Type)
ARD(DeviceNet Digital Sensor Connector Type)
ARD(DeviceNet Analog Standard Terminal Type)
ARM(Modbus Digital Sensor Connector Type)
Others
Sensor Connectors
Sockets
Sensor Distribution Boxes
Valve Plugs
Thumbwheel Switches

Ø30 Selector Switches

Type	Appearance	Operating position		Model	Contact block		LED block										
					A contact	B contact	AC/DC voltage	AC voltage									
Long shark-head lever, flush (illuminated)	 S3SFN-L2AG□ 	2-position, spring return		S3SFN-L2A□AL(M)	1EA	—	—	1EA									
				S3SFN-L2A□2AL(M)	2EA	—											
				S3SFN-L2A□BL(M)	—	1EA											
				S3SFN-L2A□2BL(M)	—	2EA											
		2-position, maintained		S3SFN-L4A□AL(M)	1EA	—											
				S3SFN-L4A□2AL(M)	2EA	—											
				S3SFN-L4A□BL(M)	—	1EA											
				S3SFN-L4A□2BL(M)	—	2EA											
		2-position, spring return		S3SFN-L2B□AL(M)	1EA	—											
				S3SFN-L2B□2AL(M)	2EA	—											
				S3SFN-L2B□BL(M)	—	1EA											
				S3SFN-L2B□2BL(M)	—	2EA											
		2-position, maintained		S3SFN-L4B□AL(M)	1EA	—											
				S3SFN-L4B□2AL(M)	2EA	—											
				S3SFN-L4B□BL(M)	—	1EA											
				S3SFN-L4B□2BL(M)	—	2EA											
		3-position, spring return two-way		S3SFN-L6□2AL(M)	2EA	—											
				S3SFN-L6□2BL(M)	—	2EA											
				S3SFN-L6□ABL(M)	1EA	1EA											
		3-position, maintained		S3SFN-L8□2AL(M)	2EA	—											
				S3SFN-L8□2BL(M)	—	2EA											
				S3SFN-L8□ABL(M)	1EA	1EA											
		3-position, spring return from right		S3SFN-LB□2AL(M)	2EA	—											
				S3SFN-LB□2BL(M)	—	2EA											
				S3SFN-LB□ABL(M)	1EA	1EA											
		3-position, spring return from left		S3SFN-LD□2AL(M)	2EA	—											
				S3SFN-LD□2BL(M)	—	2EA											
				S3SFN-LD□ABL(M)	1EA	1EA											
※□ indicates color: R (red), B (blue), G (green), Y (yellow) ※The (M) in the model name indicates modular type contacts. Models without (M) are singular types. ※The control unit, contact blocks, LED blocks are sold separately. (control unit: bold letters, contact and LED block: regular letters) ※Connect up to 2 contact blocks. Connect the contact blocks only on the side slots. It will not operate if connected to the center slot. ※The LED color is the same as the control unit.																	
• Dimensions (unit: mm)																	
<div style="display: flex; justify-content: space-around; align-items: flex-start;"> <div style="text-align: center;">  <p>48.1 30.4</p> </div> <div style="text-align: center;">  <p>Panel thickness: Max. 6mm 16.1 39.4 A B</p> </div> <div style="text-align: right;"> <table border="1"> <thead> <tr> <th></th> <th>A</th> <th>B</th> </tr> </thead> <tbody> <tr> <td>Singular type contact</td> <td>57.7</td> <td>27.0</td> </tr> <tr> <td>Modular type contact</td> <td>55.7</td> <td>25.0</td> </tr> </tbody> </table> </div> </div>										A	B	Singular type contact	57.7	27.0	Modular type contact	55.7	25.0
	A	B															
Singular type contact	57.7	27.0															
Modular type contact	55.7	25.0															
※For panel cut-out dimensions, please refer to page A-52.																	


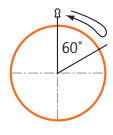
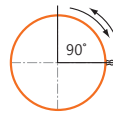
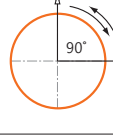
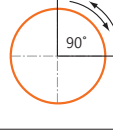
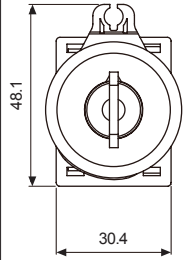
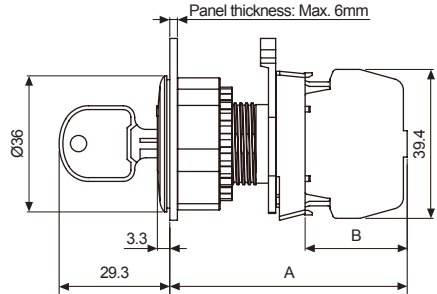
Type	Appearance	Operating position		Model	Contact block		LED block										
					A contact	B contact	AC/DC voltage	AC voltage									
Long shark-head lever, flush (illuminated)	 <p style="text-align: center;">S3SFN-L2AG□</p>	2-position, spring return		S3SFN-L2A□AD(M)	1EA	—	1EA	—									
				S3SFN-L2A□2AD(M)	2EA	—											
				S3SFN-L2A□BD(M)	—	1EA											
				S3SFN-L2A□2BD(M)	—	2EA											
				S3SFN-L2A□ABD(M)	1EA	1EA											
		2-position, maintained		S3SFN-L4A□AD(M)	1EA	—											
				S3SFN-L4A□2AD(M)	2EA	—											
				S3SFN-L4A□BD(M)	—	1EA											
				S3SFN-L4A□2BD(M)	—	2EA											
				S3SFN-L4A□ABD(M)	1EA	1EA											
		2-position, spring return		S3SFN-L2B□AD(M)	1EA	—											
				S3SFN-L2B□2AD(M)	2EA	—											
				S3SFN-L2B□BD(M)	—	1EA											
				S3SFN-L2B□2BD(M)	—	2EA											
				S3SFN-L2B□ABD(M)	1EA	1EA											
		2-position, maintained		S3SFN-L4B□AD(M)	1EA	—											
				S3SFN-L4B□2AD(M)	2EA	—											
				S3SFN-L4B□BD(M)	—	1EA											
				S3SFN-L4B□2BD(M)	—	2EA											
				S3SFN-L4B□ABD(M)	1EA	1EA											
		3-position, spring return two-way		S3SFN-L6□2AD(M)	2EA	—											
				S3SFN-L6□2BD(M)	—	2EA											
				S3SFN-L6□ABD(M)	1EA	1EA											
		3-position, maintained		S3SFN-L8□2AD(M)	2EA	—											
				S3SFN-L8□2BD(M)	—	2EA											
				S3SFN-L8□ABD(M)	1EA	1EA											
		3-position, spring return from right		S3SFN-LB□2AD(M)	2EA	—											
				S3SFN-LB□2BD(M)	—	2EA											
S3SFN-LB□ABD(M)	1EA			1EA													
3-position, spring return from left		S3SFN-LD□2AD(M)	2EA	—													
		S3SFN-LD□2BD(M)	—	2EA													
		S3SFN-LD□ABD(M)	1EA	1EA													
<p> ※□ indicates color: R (red), B (blue), G (green), Y (yellow) ※The (M) in the model name indicates modular type contacts. Models without (M) are singular types. ※The control unit, contact blocks, LED blocks are sold separately. (control unit: bold letters, contact and LED block: regular letters) ※Connect up to 2 contact blocks. Connect the contact blocks only on the side slots. It will not operate if connected to the center slot. ※The LED color is the same as the control unit. </p>																	
<p>• Dimensions</p> <div style="display: flex; justify-content: space-around; align-items: flex-end;"> <div style="text-align: center;">  <p>48.1 30.4</p> </div> <div style="text-align: center;">  <p>Panel thickness: Max. 6mm 16.1 39.4 A B</p> </div> <div style="text-align: right;"> <p>(unit: mm)</p> <table border="1" style="margin-left: auto;"> <thead> <tr> <th></th> <th>A</th> <th>B</th> </tr> </thead> <tbody> <tr> <td>Singular type contact</td> <td>57.7</td> <td>27.0</td> </tr> <tr> <td>Modular type contact</td> <td>55.7</td> <td>25.0</td> </tr> </tbody> </table> </div> </div> <p style="text-align: right;">※For panel cut-out dimensions, please refer to page A-52.</p>										A	B	Singular type contact	57.7	27.0	Modular type contact	55.7	25.0
	A	B															
Singular type contact	57.7	27.0															
Modular type contact	55.7	25.0															

Control Switches



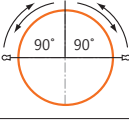
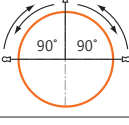
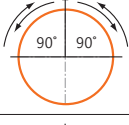
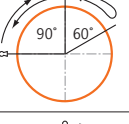
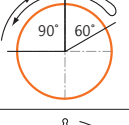
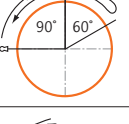
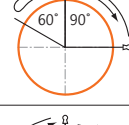
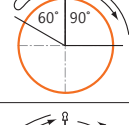
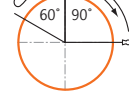
- Ø22/25
- Ø30**
- 30
- Round Push Button Switches
- Square Push Button Switches
- Selector Switches**
- Key Selector Switches
- Double Push Button Switches
- Mushroom-head Push Button Switches
- Emergency Switches
- Pilot Lights
- Accessories
- Buzzers
- Modular Terminal Blocks
- TUM(Spring Type)
- TUW1(Dual Spring Type)
- TM(Manual Type)
- I/O Terminal Blocks
- AFS(Interface Terminal Block)
- AFL/AFR(Interface Terminal Block)
- ACS(Common Terminal Block)
- AFE(Sensor Connector Terminal Block)
- ABS(Relay Terminal Block)
- ABL(Relay Terminal Block)
- Power Relay
- I/O Cables
- MITUBISHI
- LSIS
- Autonics
- RS Automation
- YOKOGAWA
- FUJI
- KDT
- OMRON
- TELEMECANIQUE
- For SERVO
- Open Type Cables
- Cable Appearance
- Remote I/O Terminal Blocks
- ARD(DeviceNet Digital Standard Terminal Type)
- ARD(DeviceNet Digital Sensor Connector Type)
- ARD(DeviceNet Analog Standard Terminal Type)
- ARM(Modbus Digital Sensor Connector Type)
- Others
- Sensor Connectors
- Sockets
- Sensor Distribution Boxes
- Valve Plugs
- Thumbwheel Switches

Ø30 Key Selector Switches

Ø30 Key Selector Switches (S3KF Series)

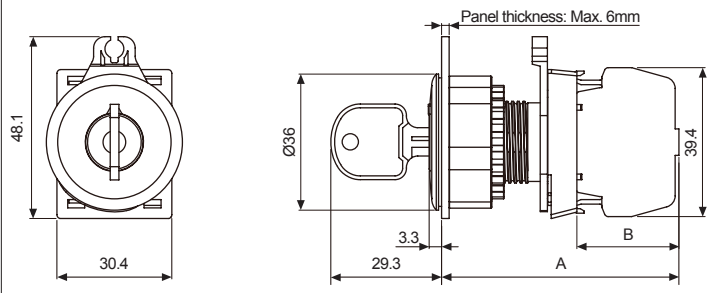
Type	Appearance	Model	Contact block		LED block											
			A contact	B contact	AC/DC voltage	AC voltage										
Flush	 S3KF-1ES□	2-position, spring return key removal: center		S3KF-1ESA(M)	1EA	—	—	—								
			S3KF-1ES2A(M)	2EA	—											
			S3KF-1ESB(M)	—	1EA											
			S3KF-1ES2B(M)	—	2EA											
			S3KF-1ESAB(M)	1EA	1EA											
		2-position, maintained key removal: right		S3KF-2DSA(M)	1EA	—										
			S3KF-2DS2A(M)	2EA	—											
			S3KF-2DSB(M)	—	1EA											
			S3KF-2DS2B(M)	—	2EA											
			S3KF-2DSAB(M)	1EA	1EA											
		2-position, maintained key removal: center		S3KF-2ESA(M)	1EA	—										
			S3KF-2ES2A(M)	2EA	—											
			S3KF-2ESB(M)	—	1EA											
			S3KF-2ES2B(M)	—	2EA											
			S3KF-2ESAB(M)	1EA	1EA											
		2-position, maintained key removal: center + right		S3KF-2FSA(M)	1EA	—										
			S3KF-2FS2A(M)	2EA	—											
			S3KF-2FSB(M)	—	1EA											
			S3KF-2FS2B(M)	—	2EA											
			S3KF-2FSAB(M)	1EA	1EA											
※The (M) in the model name indicates modular type contacts. Models without (M) are singular types. ※The control unit and contact blocks are sold separately. (control unit: bold letters, contact block: regular letters) ※Connect up to 2 contact blocks. Connect the contact blocks only on the side slots. It will not operate if connected to the center slot.																
• Dimensions (unit: mm)																
						<table border="1"> <thead> <tr> <th></th> <th>A</th> <th>B</th> </tr> </thead> <tbody> <tr> <td>Singular type contact</td> <td>62.8</td> <td>27.0</td> </tr> <tr> <td>Modular type contact</td> <td>60.8</td> <td>25.0</td> </tr> </tbody> </table>			A	B	Singular type contact	62.8	27.0	Modular type contact	60.8	25.0
	A	B														
Singular type contact	62.8	27.0														
Modular type contact	60.8	25.0														
※For panel cut-out dimensions, please refer to page A-52.																

Ø30 Key Selector Switches

Type	Appearance	Model	Contact block		LED block		
			A contact	B contact	AC/DC voltage	AC voltage	
Flush	 <p>S3KF-3ES□</p>	3-position, spring return two-way key removal: center		S3KF-3ES2A(M) 2EA	—	—	—
			S3KF-3ES2B(M) —	2EA			
			S3KF-3ESAB(M) 1EA	1EA			
		3-position, maintained key removal: left + right		S3KF-4BS2A(M) 2EA	—		
			S3KF-4BS2B(M) —	2EA			
			S3KF-4BSAB(M) 1EA	1EA			
		3-position, maintained key removal: left+center + right		S3KF-4CS2A(M) 2EA	—		
			S3KF-4CS2B(M) —	2EA			
			S3KF-4CSAB(M) 1EA	1EA			
		3-position, maintained key removal: center		S3KF-4ES2A(M) 2EA	—		
			S3KF-4ES2B(M) —	2EA			
			S3KF-4ESAB(M) 1EA	1EA			
		3-position, spring return from right key removal: left		S3KF-5AS2A(M) 2EA	—		
			S3KF-5AS2B(M) —	2EA			
			S3KF-5ASAB(M) 1EA	1EA			
		3-position, spring return from right key removal: center		S3KF-5ES2A(M) 2EA	—		
			S3KF-5ES2B(M) —	2EA			
			S3KF-5ESAB(M) 1EA	1EA			
		3-position, spring return from right key removal: left+center		S3KF-5GS2A(M) 2EA	—		
			S3KF-5GS2B(M) —	2EA			
			S3KF-5GSAB(M) 1EA	1EA			
		3-position, spring return from left key removal: right		S3KF-6DS2A(M) 2EA	—		
			S3KF-6DS2B(M) —	2EA			
			S3KF-6DSAB(M) 1EA	1EA			
3-position, spring return from left key removal: center		S3KF-6ES2A(M) 2EA	—				
	S3KF-6ES2B(M) —	2EA					
	S3KF-6ESAB(M) 1EA	1EA					
3-position, spring return from left key removal: center + right		S3KF-6FS2A(M) 2EA	—				
	S3KF-6FS2B(M) —	2EA					
	S3KF-6FSAB(M) 1EA	1EA					

※The (M) in the model name indicates modular type contacts. Models without (M) are singular types.
 ※The control unit and contact blocks are sold separately. (control unit: bold letters, contact block: regular letters)
 ※Connect up to 2 contact blocks.
 Connect the contact blocks only on the side slots. It will not operate if connected to the center slot.

• Dimensions



(unit: mm)

	A	B
Singular type contact	62.8	27.0
Modular type contact	60.8	25.0

※For panel cut-out dimensions, please refer to page A-52.

Control Switches

- Ø22/25
- Ø30
 - 30
- Round Push Button Switches
- Square Push Button Switches
- Selector Switches
- Key Selector Switches
 - Double Push Button Switches
 - Mushroom-head Push Button Switches
- Emergency Switches
- Pilot Lights
- Accessories

Buzzers

Modular Terminal Blocks

- TUM(Spring Type)
- TUW1(Dual Spring Type)
- TM(Manual Type)

I/O Terminal Blocks

- AFS(Interface Terminal Block)
- AFL/AFR(Interface Terminal Block)
- ACS(Common Terminal Block)
- AFE(Sensor Connector Terminal Block)
- ABS(Relay Terminal Block)
- ABL(Relay Terminal Block)
- Power Relay

I/O Cables

- MITUBISHI
- LSIS
- Autonics
- RS Automation
- YOKOGAWA
- FUJI
- KDT
- OMRON
- TELEMECANIQUE
- For SERVO
- Open Type Cables
- Cable Appearance

Remote I/O Terminal Blocks

- ARD(DeviceNet Digital Standard Terminal Type)
- ARD(DeviceNet Digital Sensor Connector Type)
- ARD(DeviceNet Analog Standard Terminal Type)
- ARM(Modbus Digital Sensor Connector Type)


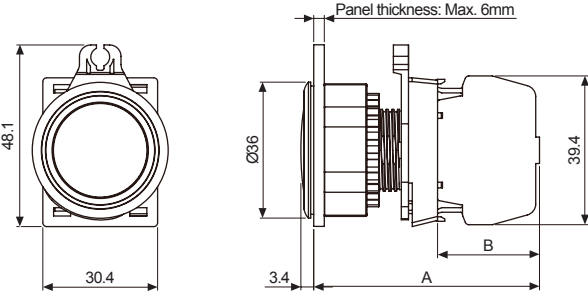
Others

- Sensor Connectors
- Sockets
- Sensor Distribution Boxes
- Valve Plugs
- Thumbwheel Switches



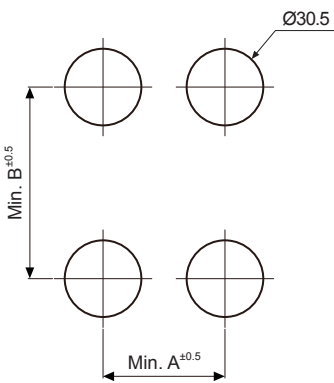
Ø30 Pilot Lights

Ø30 Pilot Lights (L3RF Series)

Type	Appearance	Model	Contact block		LED block										
			A contact	B contact	AC/DC voltage	AC voltage									
Flat round (flush)	 <p>L3RF-L3G□</p>	L3RF-L3□D(M)	—	—	1EA	—									
		L3RF-L3□L(M)	—	—	—	1EA									
<p>※□ indicates color: R (red), B (blue), G (green), Y (yellow), W (white) ※The (M) in the model name indicates modular type contacts. Models without (M) are singular types. ※The light unit and led blocks are sold separately. (light unit: bold letters, LED block: regular letters) ※The LED color is the same as the control unit.</p> <p>• Dimensions (unit: mm)</p> <div style="display: flex; align-items: center;">  <table border="1" style="margin-left: 20px;"> <thead> <tr> <th></th> <th>A</th> <th>B</th> </tr> </thead> <tbody> <tr> <td>Singular type contact</td> <td>59.8</td> <td>27.0</td> </tr> <tr> <td>Modular type contact</td> <td>57.8</td> <td>25.0</td> </tr> </tbody> </table> </div> <p style="text-align: right;">※For panel cut-out dimensions, please refer to page A-52.</p>								A	B	Singular type contact	59.8	27.0	Modular type contact	57.8	25.0
	A	B													
Singular type contact	59.8	27.0													
Modular type contact	57.8	25.0													

Ø30 Panel Cut-out Dimensions

(unit: mm)

Type	A	B	Panel cut-out dimensions	
Round push button switches (S3PR/S3PF Series)	45	55		
Selector switches (S3SF/S3SFN Series)	Short lever	37		55
	Long lever	55		55
Key selector switches (S3KF Series)	37	55		
Pilot lights (L3RF Series)	37	55		