

Autonics

AREA SENSOR BW SERIES

M A N U A L



Thank you very much for selecting Autonics products.
For your safety, please read the following before using.

Caution for your safety

- Please keep these instructions and review them before using this unit.
- Please observe the cautions that follow;
 - Warning** Serious injury may result if instructions are not followed.
 - Caution** Product may be damaged, or injury may result if instructions are not followed.
- The following is an explanation of the symbols used in the operation manual.
 - Caution:** Injury or danger may occur under special conditions.

Warning

- In case of using this unit with machinery (Ex: nuclear power control, medical equipment, ship, vehicle, train, airplane, combustion apparatus, safety device, crime/disaster prevention equipment, etc) which may cause damages to human life or property, it is required to install fail-safe device. It may cause a fire, human injury or damage to property.
- This unit is not safety sensor protecting from damages of property or injury from dangerous parts of mechanical equipment, but it is the sensor detecting a normal object or intrusion into the working area regardless of safety.
- Do not use it as safety equipment for the cutter or press.
- This unit does not follow any international safety standard. Please check the safety standard of the country the product is used.
- Please note that we do not take any responsibilities for the problem related to overseas laws or <Product liability(PL)> is happened by using as follows;
 - Safety equipment for protecting a hand or other parts of worker at dangerous area.
 - Interlock on mechanical equipment.
 - Safety sensor on mechanical equipment for stopping it when detecting a hand or other parts of worker.
 - Using for detecting a hand or other parts of worker at dangerous area and controlling door or window.

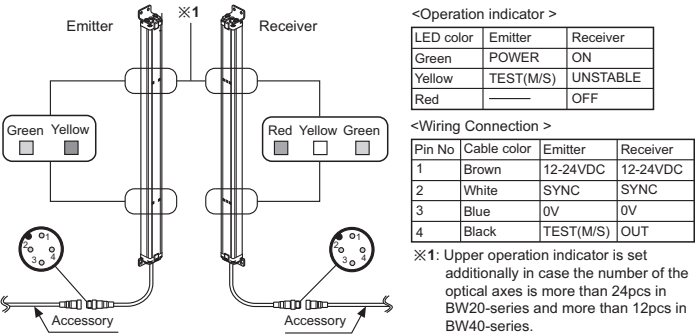
Caution

- This unit shall not be used outdoors. It might shorten the life cycle of the product or give an electric shock. Use this product inside only. Do not use the product outdoors or location subject to temperatures or humidity outside (Ex: rain, dirty, frost, sunlight, condensation, etc.).
- Do not wire this in power ON status. It may cause an electric shock.
- Please use in the rated specifications. It may cause malfunction or life cycle shorter.
- Please ground Frame Ground(F.G.) terminal when supplying power by switching power.
- Avoid using this unit where there are fluorescent light with high frequency, high speed start or signal light affecting to sensing ability.
- It may be not able to shade the light by reflecting from surface of a wall when installing it in 0.5 from wall or flat parts. Please keep < Installation >.
- It may cause malfunction from interference when using them closely in parallel. Please keep < Installation >.
- Please install emitter and receiver in same direction. The emitting light is not transferred to receiver if installed in opposite direction.
- Avoid using this unit where there are severe vibration. It may cause a fire and malfunction.
- In cleaning the unit, do not use water or an oil-based detergent. It may cause an electric shock or fire.
- Please make power and output line shorten as possible, or it may cause malfunction by surge etc. (Max. 30m)

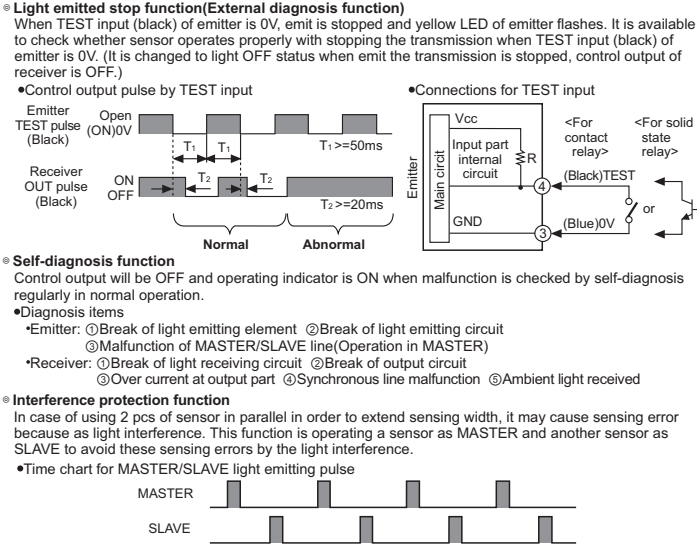
Ordering information

BW 20 - 08 P	Solid state output	P	NPN open collector output
			PNP open collector output
	Number of optical axes	04 to 48	04 to 48pcs
	Optical axis pitch	20	20mm Pitch
		40	40mm Pitch
	Series		

Structure



Functions



※Please, connect 'M/S' of SLAVE emitter to 'SYNC' of MASTER.

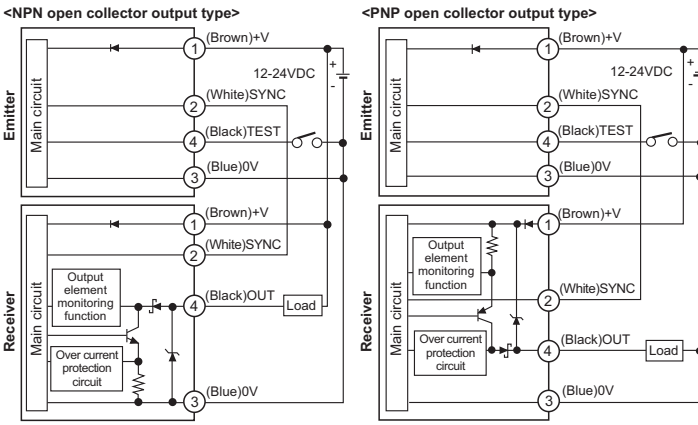
※The above specifications are subject to change without notice.

Specifications

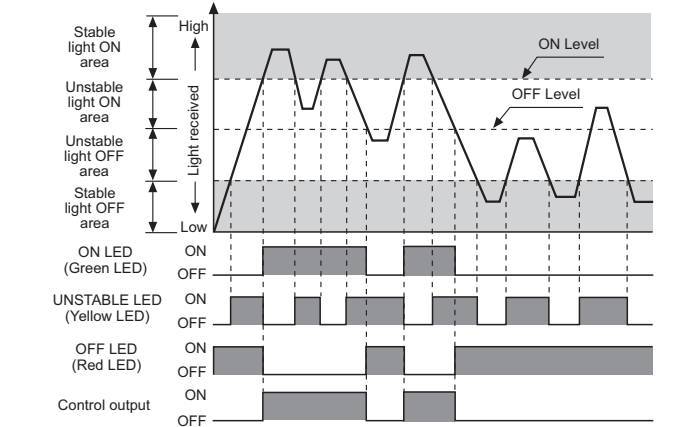
Model	BW20-(P) / BW40-(P)	
Sensing type	Through-beam	
Sensing distance	0.1 to 7m	
Sensing target	Opaque materials of min. ø30mm	Opaque materials of min. ø50mm
Optical axis pitch	20mm	40mm
Number of optical axes	8 to 48pcs	4 to 24pcs
Sensing width	140 to 940mm	120 to 920mm
Pointing angle	Within ±5° (At over 3m sensing distance)	
Power supply	12-24VDC ±10%(Ripple P-P: Max. 10%)	
Reverse power protection circuit	Built in	
Current consumption	Emitter: Max. 80mA, Receiver: Max. 80mA	
Control output	NPN open collector output ≧ Load voltage: Max. 30VDC, Load current: Max. 100mA, Residual voltage: Max. 1V PNP open collector output ≧ Load current: Max. 100mA, Output voltage: Min. (Power supply-2.5V)	
Operation mode	Light ON only	
Short-circuit protection	Built-in	
Response time	Min. 12ms	
Light source	Infrared LED(modulated)	
Synchronization type	Synchronous method by synchronous line	
Self-diagnosis	Ambient light monitoring, Emitter/Receiver light circuit monitoring, Output circuit monitoring	
Interference protection	Interference protection by master/slave function	
Environment	Ambient illumination: Sunlight: Max. 10,000lx Ambient temperature: -10 to +55°C, Storage: -20 to +60°C Ambient humidity: 35 to 85%RH, Storage: 35 to 85%RH	
Noise strength	The square wave noise by the noise simulator (Voltage: ±240V, Period: 10ms, Pulse width: 1μs)	
Dielectric strength	1,000VAC 50/60Hz for 1minute	
Insulation resistance	Min. 20MΩ (at 500VDC megger)	
Vibration	1.5mm amplitude at frequency of 10 to 55Hz in each of X, Y, Z directions for 2 hours	
Shock	500m/s ² (50G) in X, Y, Z directions for 3 times	
Protection	IP65(IEC standard)	
Material	*Case: Aluminum *Cover, Lens: Acril	
Accessory	Bracket A: 4EA, Bracket B: 4EA, Bolt: 8EA	
Unit weight	Approx. 1.4kg(For 48 optical axes)	

※The temperature or humidity mentioned in Environment indicates a non freezing or condensation environment.

Input/Output circuit and connection diagram



Timing diagram operation

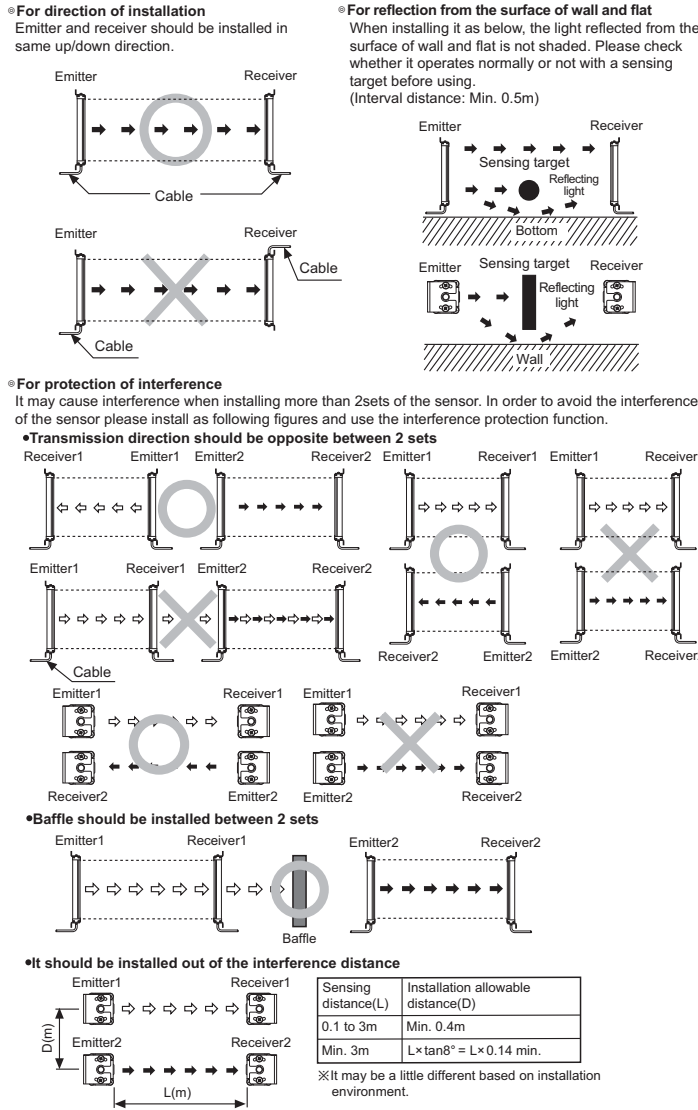


Connecting cable

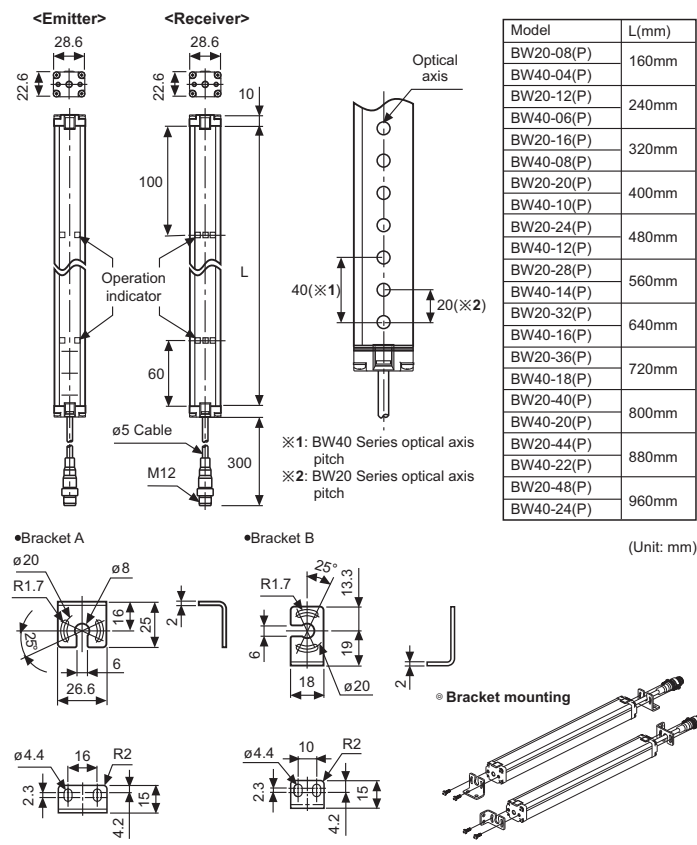
※Connecting cable is optional and sold in a set(2pcs).

Model	Cable length (L)	Connector color
CID4-3T / CID4-3R	3m	Emitter(T) :Black Receiver(R) :Gray
CID4-5T / CID4-5R	5m	
CID4-7T / CID4-7R	7m	
CID4-10T / CID4-10R	10m	

Installations



Dimensions



Optical axis pitch/Number of optical axes/Sensing width

Model	Number of optical axes	Sensing width	Model	Number of optical axes	Sensing width
BW20-08(P)	8pcs	140mm	BW40-04(P)	4pcs	120mm
BW20-12(P)	12pcs	220mm	BW40-06(P)	6pcs	200mm
BW20-16(P)	16pcs	300mm	BW40-08(P)	8pcs	280mm
BW20-20(P)	20pcs	380mm	BW40-10(P)	10pcs	360mm
BW20-24(P)	24pcs	460mm	BW40-12(P)	12pcs	440mm
BW20-28(P)	28pcs	540mm	BW40-14(P)	14pcs	520mm
BW20-32(P)	32pcs	620mm	BW40-16(P)	16pcs	600mm
BW20-36(P)	36pcs	700mm	BW40-18(P)	18pcs	680mm
BW20-40(P)	40pcs	780mm	BW40-20(P)	20pcs	760mm
BW20-44(P)	44pcs	860mm	BW40-22(P)	22pcs	840mm
BW20-48(P)	48pcs	940mm	BW40-24(P)	24pcs	920mm

Operation indicator

Item	Emitter		Receiver		Control output
	Indicator	Green	Yellow	Red	
Power supply	●	●	●	●	—
MASTER operation	●	●	—	—	—
SLAVE operation	●	●	—	—	—
Test input	●	●	—	—	OFF
Break of light emitting element	●	●	—	—	OFF
Break of light emitting circuit	●	●	—	—	OFF
Stable light ON	—	—	●	●	ON
Unstable light ON	—	—	●	●	ON
Unstable light OFF	—	—	●	●	OFF
Stable light OFF	—	—	●	●	OFF
Break of light receiving circuit	—	—	●	●	OFF
Break of output element	—	—	●	●	OFF
Synchronous line malfunction	—	—	●	●	OFF
Over current	—	—	●	●	OFF
Ambient light received	—	—	●	●	OFF
Emitter failure	—	—	●	●	OFF

Display classification list

●	Lighting
○	Light out
●	Flashing by 0.5sec.
●	Flashing simultaneously by 0.5 sec.
●	Cross-flashing by 0.5sec.
●	Sequence-flashing by 0.5sec.

Troubleshooting

Malfunction	Cause	Troubleshooting
Non-operation	Power supply Cable incorrect connection or disconnection Rated connection failure	Supply rated power. Check the wiring. Use it within rated detecting distance.
Non-operation in sometimes	Pollution by dirt of sensor cover Connector connection failure	Remove dirt by soft brush or cloth. Check the assembled part of the connector.
Control output is OFF even though there is not a target object.	Out of rated detecting distance There is an obstacle to cut off the light emitted between emitter and receiver There is a strong electric wave or noise generator such as motor, electric generator, high voltage line etc.	Use it within rated detecting distance. Remove the obstacle. Put away the strong electric wave or noise generator.
LED displays for break of light emitting element	Break of light emitting element	
LED displays for break of light emitting circuit	Break of light emitting circuit	
LED displays for break of light receiving element	Break of light receiving element	Contact our company.
LED displays for break of output element	Break of output element	
LED displays for synchronous line malfunction	Synchronous line incorrect connection or disconnection Break of synchronous circuit of emitter or receiver	Check the wiring. Contact our company.
LED displays for over current	Control output line is shorten Over load	Check the wiring. Check the rated load capacity.
LED displays for ambient light receiving	Ambient light received to receiver	Remove the ambient light.
LED displays for emitter malfunction	Emitter malfunction	Treat after checking the emitter display LED.

Caution for using

- Please make the interval enough between 2 sets or exchange the positions of emitter and receiver in order to remove interference occurring by the emitter of another set when using emitter/receiver more than 2sets closely.
 - Please install this sensor at proper height (Min. approx. 0.5m) from flat part because malfunction may be caused due to certain amount of light received by light reflected when installing it close to flat part.
 - Avoid using this unit where there are fluorescent light with high frequency, high speed start or signal light affecting to detection ability.
 - Please use a single conduit or separated wiring as it may cause malfunction or mechanical trouble when installing the wiring of the sensor with high voltage lines.
 - Avoid using this unit where there are these kinds of places with corrosive gas or dust as it may cause malfunction.
 - Please make power and output line shorten as possible, or it may cause malfunction by surge etc.
 - Please clean the sensor cover with dry cloth when it is stained by dirt etc., but do not use organic materials such as the kinds of thinners.
 - When using switching power supply as the source of supplying power, Frame Ground (F.G.) terminal shall be grounded and a condenser for removing noise shall be installed between 0V and F.G. terminal.
 - Installation environment
 - It shall be used indoor
 - Altitude max. 2,000m
 - Pollution degree 2
 - Installation category II
- ※It may cause malfunction if above instructions are not followed.

Major products

- Proximity sensors
- Area sensors
- Door/Door side sensors
- Counters
- Rotary encoders
- Power controllers
- Panel meters
- Temperature controllers
- Switching power supplies
- Temperature/Humidity transducers
- Tachometer/Pulse(Rate) meters
- Stepping motors/drivers/motion controllers
- Laser marking system(CO₂, Nd:YAG)
- Laser welding/soldering system
- Photoelectric sensors
- Fiber optic sensors
- Pressure sensors
- Timers
- Display units
- Sensor controllers
- Graphic/Logic panels
- Field network devices

Autonics Corporation
http://www.autonics.com

Satisfiable Partner For Factory Automation

HEAD QUARTERS :
41-5, Yongdang-dong, Yongsan-si, Gyeongnam, 626-847, Korea

OVERSEAS SALES :
Bldg. 402 3rd Fl., Bucheon Techno Park, 193, Yakdae-dong, Woomi-gu, Bucheon-si, Gyeonggi-do, 420-734, Korea
TEL: 82-31-610-0778 / FAX: 82-31-329-6728
E-mail: sales@autonics.com

The proposal of a product improvement and development : product@autonics.com

EP-KE-77-0004E