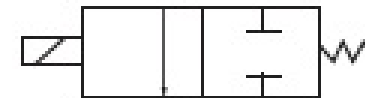


2WB series stainless steel solenoid valve

Symbol:



2WB160-15

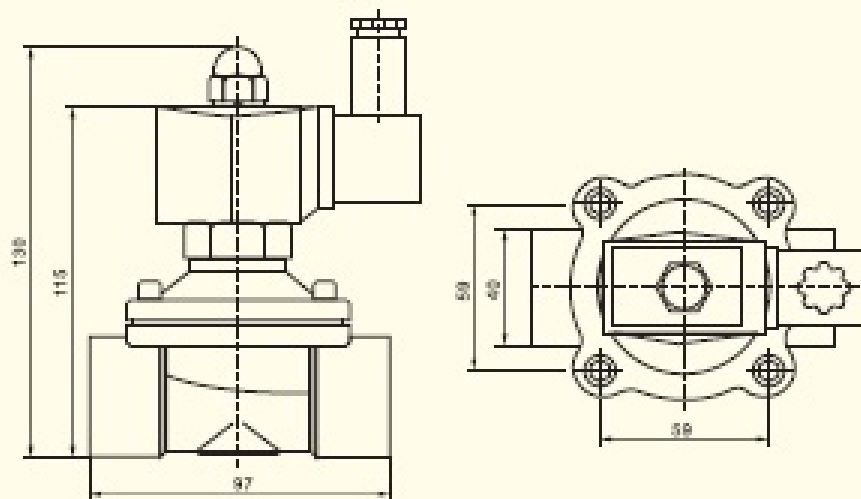


2WB250-25

Reference models

2WB	160	-	10	AC110V
Specification and model	Flow diameter		Port size	Standard voltage
Two-hole two gang solenoid valve	160: 16mm		10: 3/8"	DC12V
Normal closed (NC)	200: 20mm		15: 1/2"	DC24V
	250: 25mm		20: 3/4"	AC24V 50/60Hz
	350: 35mm		25: 1"	AC110V 50/60Hz
	400: 40mm		35: 1 1/4"	AC220V 50/60Hz
	500: 50mm		40: 1 1/2"	AC380V 50/60Hz
			50: 2"	

Outline dimensions



Technical specifications

Model	2WB160-10	2WB160-15	2WB200-20	2WB250-25	2WB350-35	2WB400-40	2WB500-50
Servicing fluid	Air, water, oil, gas						
Acting mode	Pilot type						
Type	Normally closed (NC)						
Flow diameter (mm ³)	16	16	20	25	35	40	50
CV value	4.8	4.8	7.6	12	24	29	48
Thread size	3/8"	1/2"	3/4"	1"	1 1/4"	1 1/2"	2"
Fluid viscosity	Under 20CS						
Operating pressure	Water and oil: 0-5.0kgf/cm ² , air: 0-7.0kgf/cm ²						
Max withstand pressure	10kgf/cm ²						
Fluid and ambient temperature	-5~85°C						
Voltage range	±10%						
Weight (kg)							
Material of main parts	Body	Stainless 304#					
	Sealing	NBR					