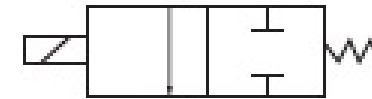


2WK series solenoid valve

Symbol:



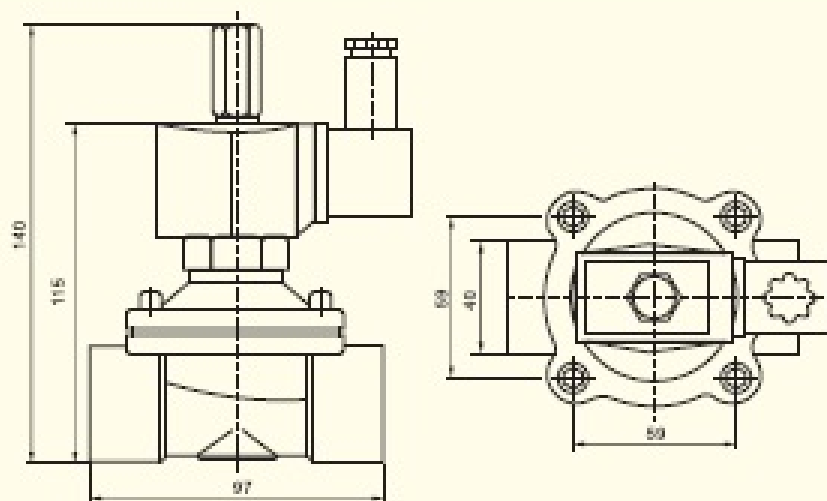
2WK160-15

2WK250-25

Reference models

2WK	160	10	AC110V
Specification and model	Flow diameter 160: 16mm 200: 20mm 250: 25mm 350: 35mm 400: 40mm 500: 50mm	Port size 10: 3/8" 15: 1/2" 20: 3/4" 25: 1" 35: 1 1/4" 40: 1 1/2" 50: 2"	Standard voltage DC12V DC24V AC24V 50/60Hz AC110V 50/60Hz AC220V 50/60Hz AC380V 50/60Hz

Outline dimensions



Technical specifications

Model	2WK160-10	2WK160-15	2WK200-20	2WK250-25	2WK350-35	2WK400-40	2WK500-50
Service fluid	Air, water, oil, gas						
Acting mode	Pilot type						
Type	Normally opened (NO)						
Flow diameter (mm)	16	16	20	25	35	40	50
CV value	4.8	4.8	7.6	12	24	29	48
Thread size	3/8"	1/2"	3/4"	1"	1 1/4"	1 1/2"	2"
Fluid viscosity	Under 20CS						
Operating pressure	Water and oil: 0-5.0kgf/cm ² , air: 0-7.0kgf/cm ²						
Max withstand pressure	10kgf/cm ²						
Fluid and ambient temperature	-5-85°C						
Voltage range	±10%						
Weight (kg)							
Material of main parts	Body	Brass					
	Sealing ring	NBR					