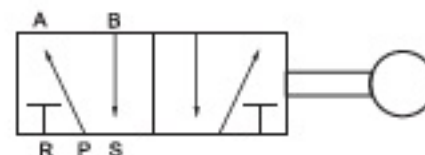


3R/4R series hand valve

Symbol :



Reference models

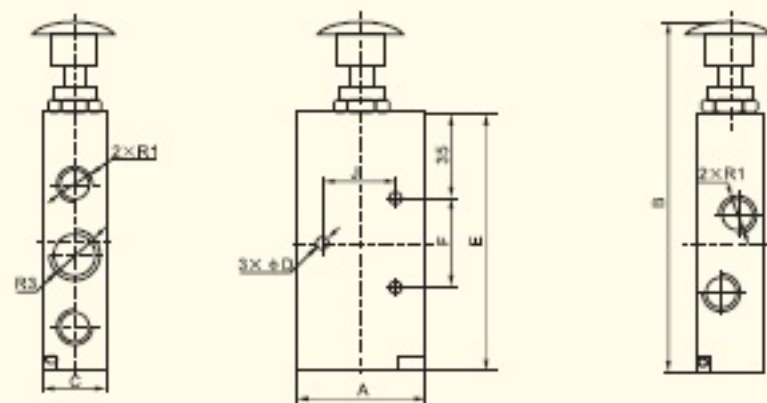
4R	2	10	-	08
3R:2/4	Series code	Position number		Port size
Three-hole	1: 100 series	10: Single-head		06: 1/8 "
two-gang	2: 200 series	dual-position		08: 1/4 "
4R: 2/5	3: 300 series			10: 3/8 "
Five-hole	4: 400 series			15: 1/2 "
two-gang				



4R210-08

4R310-10

Outline dimensions



Model	φD	A	B	C	E	F	J	H	R1	R2	R3
4R110-06											
4R210-08	4	35	100	22	63	20	21	17	R1/4	R1/4	R3/8
4R310-10	4	40	116	27	95	24.3	28	19	R3/8	R3/8	R3/8
4R410-15	5.5	50	154	34	114.3	28	35	24	R3/8	R3/8	R3/8

Technical specifications

Model	3R110-06 4R110-06	3R210-08 4R210-08	3R310-10 4R310-10	3R410-15 4R410-15
Working fluid	Air			
Acting mode	Direct acting type			
Effective sectional cross area (mm ²)	16(CV=0.89)	16(CV=0.89)	25(CV=1.4)	30(CV=1.68)
Port size	1/8 "	1/4 "	3/8 "	1/2 "
Operating pressure	0~8.0kgf/cm ²			
Working temperature	5~60℃			
Lubrication oil	Not need			
Weight (kg)				
Material of main parts	Body	Aluminum alloy		
	Seal ring	NBR		