

4V4 series solenoid valve
4A4 series pneumatic valve

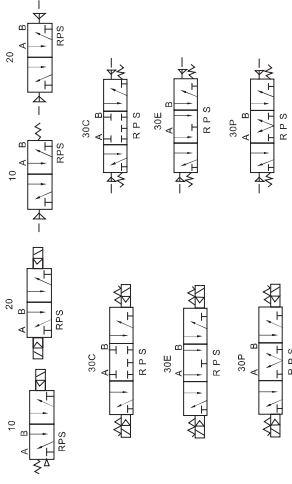


4A320-15



4V410-15

Symbol:



Reference models

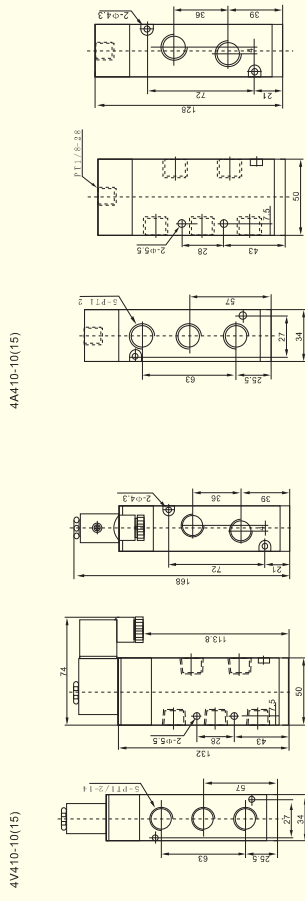
4V	4	10	15	AC110V
Specification and model Five-hole two (three)- gang solenoid valve	Series code 4-4300 series	Coil and position number 10: 2/5 Single-head dual-position 20: 2/5 Double-head dual-position 30C: 3/5 Double-head triple-position sealing type 30E: 3/5 Double-head triple-position air exhausting type 30P: 3/5 Double-head triple-position pressure type	Port size 10: 3/8" * 15: 1/2" *	Standard voltage DC12V DC24V AC24V/50/60Hz AC110V/50/60Hz AC220V/50/60Hz AC380V/50/60Hz

4A	4	10	15
Specification and model Five-hole two (three)- gang pneumatic valve	Series code 4-400 series	Coil and position number 10: 2/4 Single-head dual-position 20: 2/5 Double-head dual-position 30C: 3/5 Double-head triple-position sealing type 30E: 3/5 Double-head triple-position air exhausting type 30P: 3/5 Double-head triple-position pressure type	Port size 10: 3/8" * 15: 1/2" *

技術仕様 | specifications

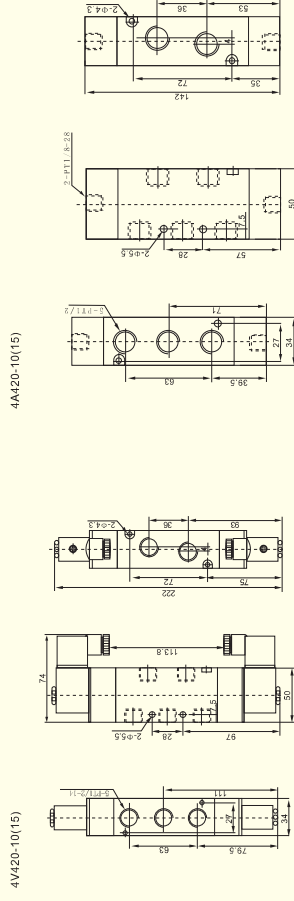
Model	4V410-15 4A410-15	4V420-15 4A420-15	4V430C-15 4A430C-15	4V430E-15 4A430E-15	3V430P-15 3A430P-15
Servicing fluid	Air				
Acting mode	Interior pilot type				
Position number	Five-hole two-gang 50mm ² (CV=2.79)				
Effective sectional cross area (mm ²)	Five-hole three-gang 30mm ² (CV=1.68)				
Lubrication oil	Not need				
Operating pressure	1.5~8.0kgf/cm ²				
Max withstand pressure	10.5kgf/cm ²				
Ambient temperature	5~60°C				
Voltage range	±10%				
Electricity consumption	AC:1.5W DC:3.0W				
Institution grade	E class				
Protection grade	IP65(DIN 40050)				
Power input mode	Direct coupling or via terminal				
Highest acting frequency	5 cycles per 1s				
Shortest excitation time	0.05s				
Weight (kg)	590g	770g	770g	770g	770g
Material of main parts	Body Aluminum alloy Seal ring NBR				

Outline dimensions



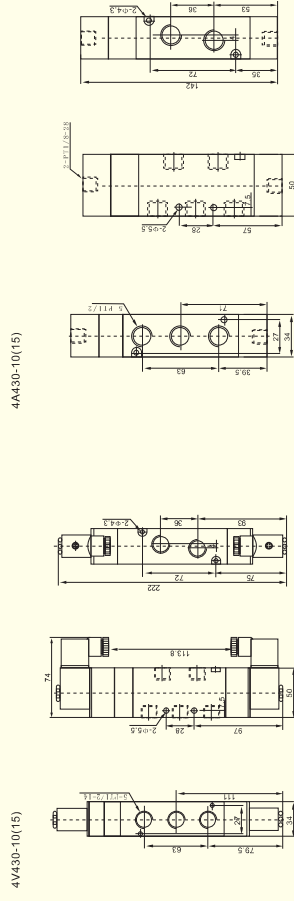
4V410-10(15)

4A410-10(15)



4V420-10(15)

4A420-10(15)



4V430-10(15)

4A430-10(15)