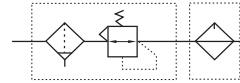


AC series air filter combination(two-union)

Symbol :



AC2010-02 AC20A-02E-CR AC3010-03A AC3010-03D

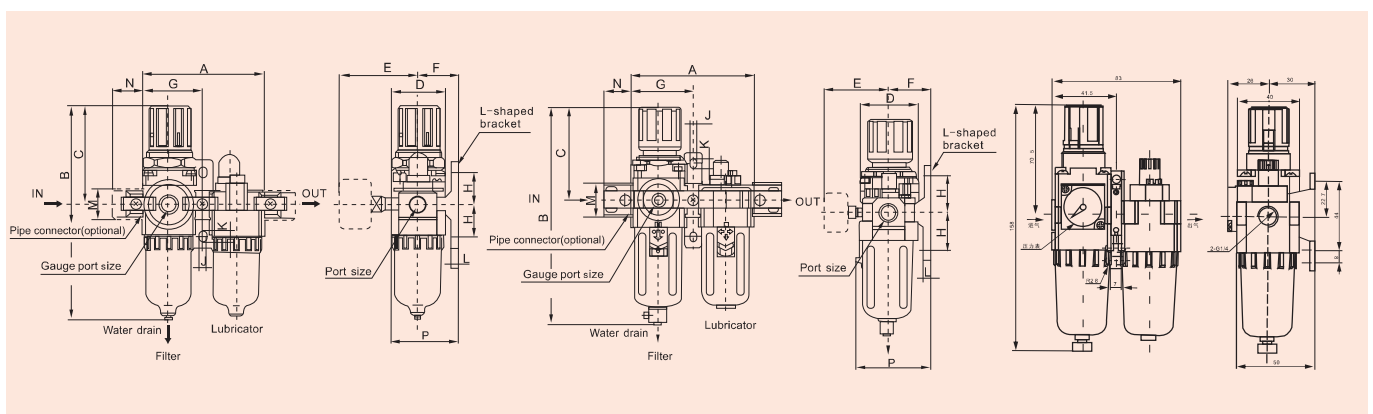
Reference model

AC	2010	-	02	D
Series code	Body size		Port size	Drain model
	1010		M5:M5	Nil: manual drain
	2010		02:1/4 "	A: Differential pressure drain
	3010		03:3/8 "	D: Automatic drain
	4010		04:1/2 "	
	5010		06:3/4 "	
			10:1 "	

Technical specifications

Model	AC1010-M5 AC1010-M5A AC1010-M5D	AC2010-02 AC2010-02A AC2010-02D	AC3010-02 AC3010-02A AC3010-02D	AC3010-03 AC3010-03A AC3010-03D	AC4010-03 AC4010-03A AC4010-03D	AC4010-04 AC4010-04A AC4010-04D	AC4010-06 AC4010-06A AC4010-06D	AC5010-06 AC5010-06A AC5010-06D	AC5010-10 AC5010-10A AC5010-10D	
Components	Filter Pressure reduce valve Lubricator	AW1000 AL2000	AW2000 AL2000	AW3000 AL3000	AW3000 AL3000	AW4000 AL4000	AW4000 AL4000	AW4000 AL4000	AW5000 AL5000	AW5000 AL5000
Port size (PT)	AM×0.8	1/4 "	1/4 "	1/4 "	3/8 "	3/8 "	1/2 "	3/4 "	3/4 "	1 "
Pressure gauge port size	1/16 "	1/8 "	1/8 "	1/8 "	1/8 "	1/8 "	1/4 "	1/4 "	1/4 "	1/4 "
Rated flow (L/min)	90	500	1700	1700	3000	3000	3000	3000	5000	5000
Working medium	Air									
Guaranteed withstand pressure	1.5Mpa(15.3kgf/cm ²)									
Highest operating pressure	1.0Mpa(10.2kgf/cm ²)									
Ambient temperature	5~60℃									
Nominal filtration diameter	5 μ M									
Recommended lubrication oil	Turbine No. 1 oil (ISO VG32)									
Adjustable pressure range	0.05~0.7Mpa		0.05~0.85Mpa							
Bracket (1pcs)	Y10T	Y20T	Y30T	Y30T	Y40T	Y40T	Y50T	Y50T	Y50T	Y50T
Pressure gauge	Y30-10-M5	Y40-6-1/8	Y40-6-1/8	Y40-10-18	Y50-6-1/4	Y50-10-1/4				
Weight (kg)	0.22	0.66	0.98	0.98	1.93	1.93	1.99	2.7	2.7	2.7
Material of main parts	Body	Aluminum alloy								
	Bowl	PC								
	Bowl guard	AC1010~AC2010: without, AC3010~AC5010: with (Iron)								

Outline dimension



Model	Port size	A	B	C	D	E	F	G	H	J	K	L	M	N
AC1010	M5×0.8	58	109.5	50.5	25	26	25	29	20	4.5	7.5	5	17.5	16
AC2010	1/4 "	90	164.5	78	40	56.8	30	45	24	5.5	8.5	5	22	23
AC3010	1/4 " , 3/8 "	117	211	92.5	53	60.8	41	58.5	35	7	11	7	34.5	26
AC4010	3/8 " , 1/2 "	154	262.5	112	70	70.5	50	77	40	9	13	7	42.2	26
AC4010-06	3/4 "	164	267	114	70	70.5	50	82	40	9	13	7	46.2	36