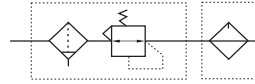


AC series air filter combination(three-union)

Symbol:



1
Air filter combination



AC2000-02D

AC3000-03A

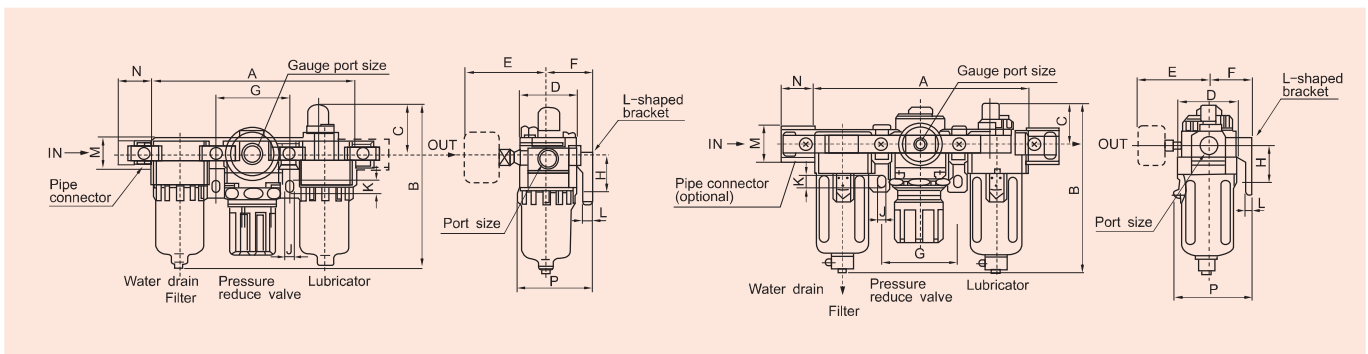
Reference model

AC	2000	-	02	D
Series code	Body size		Port size	Drain model
	1000		M5:M5	Nil: manual drain
	2000		02:1/4 "	A: Differential pressure drain
	2500		03:3/8 "	D: Automatic drain
	3000		04:1/2 "	
	4000		06:3/4 "	
	5000		10:1 "	

Technical specifications

Model	AC1000-M5 AC1000-M5A AC1000-M5D	AC2000-02 AC2000-02A AC2000-02D	AC2500-02 AC2500-02A AC2500-02D	AC2500-03 AC2500-03A AC2500-03D	AC3000-02 AC3000-02A AC3000-02D	AC3000-03 AC3000-03A AC3000-03D	AC4000-03 AC4000-03A AC4000-03D	AC4000-04 AC4000-04A AC4000-04D	AC4000-06 AC4000-06A AC4000-06D	AC5000-06 AC5000-06A AC5000-06D	AC5000-10 AC5000-10A AC5000-10D	
Components	Filter Pressure reduce valve Lubricator	AF1000 AR1000 AL1000	AF2000 AR2000 AL2000	AF2500 AR2500 AL2500	AF2500 AR2500 AL2500	AF3000 AR3000 AL3000	AF3000 AR3000 AL3000	AF4000 AR4000 AL4000	AF4000 AR4000 AL4000	AF4000 AR4000 AL4000	AF5000 AR5000 AL5000	AF5000 AR5000 AL5000
Port size (PT)	M5×0.8	1/4 "	1/4 "	3/8 "	1/4 "	3/8 "	3/8 "	1/2 "	3/4 "	3/4 "	1 "	1 "
Pressure gauge port size	M5×0.8	1/8 "	1/8 "	1/8 "	1/8 "	1/8 "	1/4 "	1/4 "	1/4 "	1/4 "	1/4 "	1/4 "
Rated flow (L/min)	90	900	1500	1500	2000	2000	4000	4000	4500	5000	5000	5000
Working medium	Air											
Guaranteed withstand pressure	1.5Mpa(15.3kgf/cm ²)											
Highest operating pressure	1.0Mpa(10.2kgf/cm ²)											
Ambient temperature	5~60℃											
Nominal filtration diameter	5 μ M											
Recommended lubrication oil	Turbine No. 1 oil (ISO VG32)											
Adjustable pressure range	0.05~0.7Mpa											
Bracket (2pcs)	Y10L	Y20L	Y30L	Y30L	Y30L	Y30L	Y40L	Y40L	Y50L	Y60L	Y60L	Y60L
Pressure gauge	Y30-10-M5	Y40-4-1/8	Y40-6-1/8	Y40-10-1/8			Y50-6-1/4	Y50-10-1/4				
Weight (kg)	0.26	0.74	1.04	1.04	1.18	1.18	2.14	2.14	2.47	3.82	3.82	3.82
Material of main parts	Body	Aluminum alloy										
	Bowl	PC										
	Bowl guard	AC1000 ~ AC2500: without, AC3000 ~ AC5000: with (1 iron)										

Outline dimension



Model	Port size	A	B	C	D	E	F	G	H	J	K	L	M	N	P
AC1000	M5×0.8	91	84.5	25.5	25	26	25	33	20	4.5	7.5	5	17.5	16	38.5
AC2000	1/4 "	140	125	38	40	56.8	30	50	24	5.5	8.5	5	22	23	50
AC2500	1/4 ", 3/8 "	181	156.5	38	53	60.8	41	64	35	7	11	7	34.2	26	70.5
AC3000	1/4 ", 3/8 "	181	156.5	38	53	60.8	41	64	35	7	11	7	34.2	26	70.5
AC4000	3/8 ", 1/2 "	283	191.5	41	70	65.5	50	84	40	9	13	7	42.2	33	88
AC4000-06	3/4 "	253	193	40.5	70	69.5	50	89	40	9	13	7	46.2	36	88
AC5000	3/4 ", 1	300	271.5	48	90	75.5	70	105	50	12	16	10	55.2	40	115