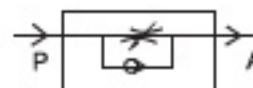


ASC series flow control valve

Symbol :

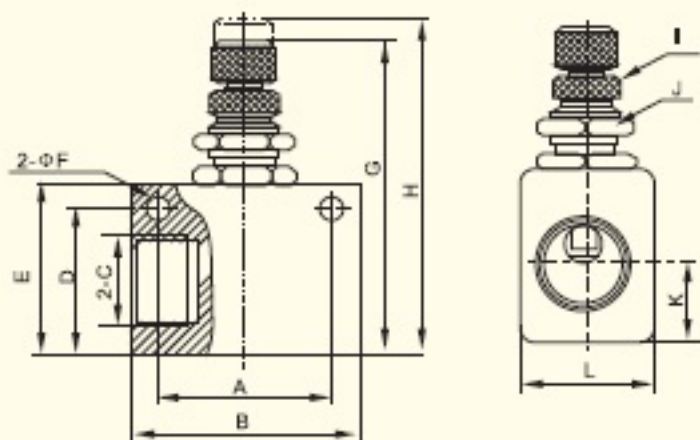


ASC-06



ASC-08

Outline dimensions



Reference models

ASC - 06

Series code	Port size
	06:1/8 "
	08:1/4 "
	10:3/8 "
	15:1/2 "

Technical specifications

	ASC-06	ASC-08	ASC-10	ASC-15
Working medium	Air			
Diameter of assembled pipe	1/8 "	1/4 "	3/8 "	1/2 "
Operating pressure	0~10kgf/cm ²			
Working temperature	0~70℃			
Weight (kg)				
Material of main parts	Body	Aluminum alloy		
	Seal ring	NBR		

Model	A	B	C	D	E	F	G	H	K	L
ASC-06	22	32	1/8	18	23	4.3	45.7	52.3	10	18
ASC-08	26	36	1/4	22	27	4.3	49.7	56.3	12	18
ASC-10	30	40	3/8	24	29	4.3	51.7	58.3	13	12