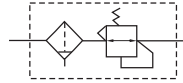


## AW series pressure regulation filter

Symbol:



AW2000-02    AW3000-03D    AW3000-03A    AW5000-10

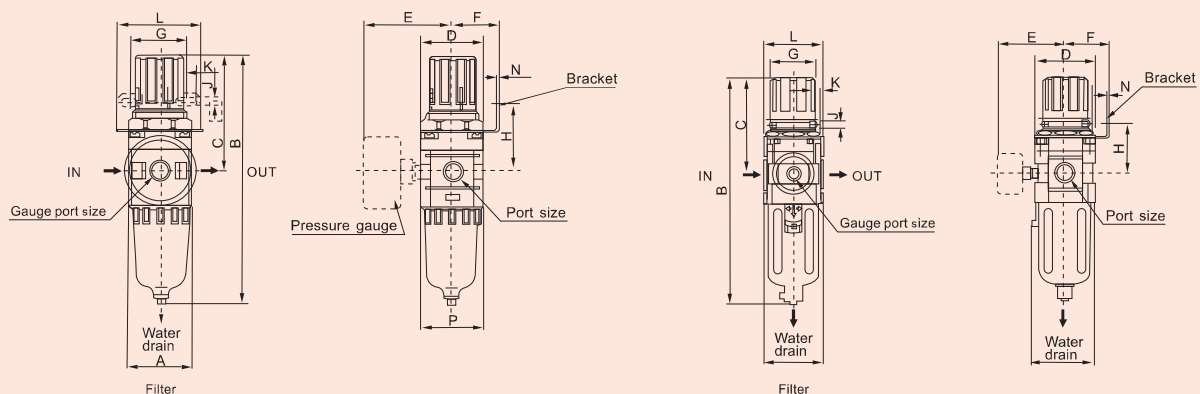
### Reference model

AW	2000	-	02	D
Series code	Body size		Port size	Drain model
	1000		M5:M5	Nil: manual drain
	2000		02:1/4 "	A: Differential pressure drain
	3000		03:3/8 "	D: Automatic drain
	4000		04:1/2 "	
	5000		06:3/4 "	
			10:1 "	

### Technical specifications

Model	AW1000-M5 AW1000-M5A AW1000-M5D	AW2000-02 AW2000-02A AW2000-02D	AW3000-02 AW3000-02A AW3000-02D	AW3000-03 AW3000-03A AW3000-03D	AW4000-03 AW4000-03A AW4000-03D	AW4000-04 AW4000-04A AW4000-04D	AW4000-06 AW4000-06A AW4000-06D	AW5000-06 AW5000-06A AW5000-06D	AW5000-10 AW5000-10A AW5000-10D
Port size (PT)	M5×0.8	1/4 "	1/4 "	3/8 "	3/8 "	1/2 "	3/4 "	3/4 "	1/4 "
Pressure gauge port size	1/16 "	1/8 "	1/8 "	1/8 "	1/8 "	1/4 "	1/4 "	1/4 "	1/4 "
Rated flow (L/min)	100	550	2000	2000	4000	4000	4500	5500	5500
Working medium	Air								
Guaranteed withstand pressure	1.5Mpa(15.3kgf/cm <sup>2</sup> )								
Highest operating pressure	1.0Mpa(10.2kgf/cm <sup>2</sup> )								
Ambient temperature	5~60°C								
Nominal filtration diameter	5 μ M								
Adjustable pressure range	0.05~0.7Mpa		0.05~0.85mpa						
Bracket (1pc)	B120	B220	B320	B320	B420	B420	B420	B420	B420
Pressure gauge	Y30-10M5	Y40-6-1/8	Y40-6-1/8	Y40-10-1/8	Y50-6-1/4	Y50-10-1/4			
Weight (kg)	0.09	0.36	0.56	0.56	1.15	1.15	1.21	2	2
Material of main parts	Body	Aluminum alloy							
	Bowl	PC							
	Bowl guard	AW1000 ~ AW2000: without, AW3000 ~ AW5000: with (Iron)							

### Outline dimension



Model	Port size	A	B	C	D	F	G	H	J	K	L	M	φN	P
AW1000	M5×0.8	25	109.5	50.5	25	25	38	30	4.5	6.5	40	2.0	20.5	28
AW2000	1/4 "	43	164.5	78	40	30	34	45	5.5	10.54	55	2.3	33.5	40
AW3000	1/4 " , 3/8 "	53	211	92.5	53	41	41	46	6.5	8.0	53	2.3	42.5	56
AW4000	3/8 " , 1/2 "	70	262.5	112	70	50	50	54	8.5	10.5	70	2.3	52.5	73
AW4000-06	3/4 "	75	267	114	70	50	50	56	8.5	10.5	70	2.3	52.5	73