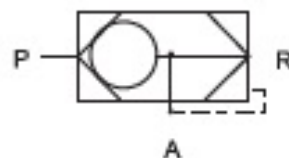




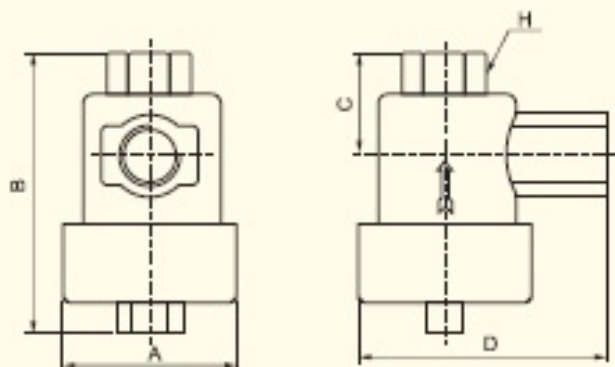
BQE-04

BQE series air quick exhausting valve

Symbol :



Outline dimensions



Model	A	B	C	D	H
BQE-02	33	54	21	41	19
BQE-03	38	60	24	41	22
BQE-04	43	67	40	51.2	24

Reference models

BQE - 02

Series code	Series code
	02:1/4 "
	03:3/8 "
	04:1/2 "

Technical specifications

Model	BQE-02	BQE-03	BQE-04
Working medium	Air		
Port size	1/4 "	3/8 "	1/2 "
Guaranteed withstand pressure	0~10kgf/cm ²		
Working temperature	0~70°C		
Weight (kg)			
Material of main parts	Body	Brass	
	Seal ring	NBR	