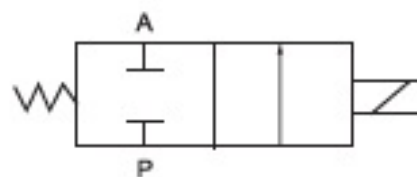




4F/FOV series foot valve

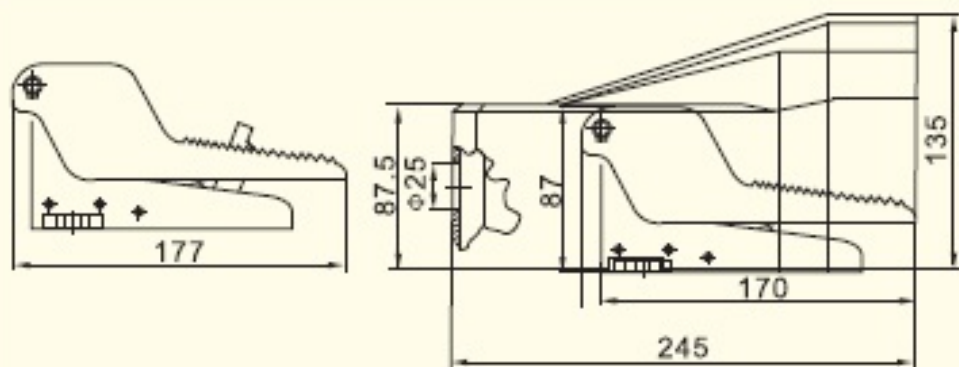
Symbol :



Reference models

FOV	-	320	-	A
Model		Diameter of assembled pipe 320: two-gang five-joint		Nil: fixed type A: self-locked type C: Fixed + protective cover AC: self-locked + protective cover
4F	-	210	-	08
Model		210: two-gang five-joint		Port size 08: 1/4"

Outline dimensions



Technical specifications

Model	FOV-320	FOV-320A	FOV-320C	FOV-320AC
Working fluid	Air			
Operating pressure	0~8kgf/cm ²			
Working temperature	0~70°C			
Diameter of assembled pipe	1/4"			
Hole and gang number	5/2 way			
Weight (kg)				
Material of main parts	Body	Zinc alloy		
	Seal ring	NBR		