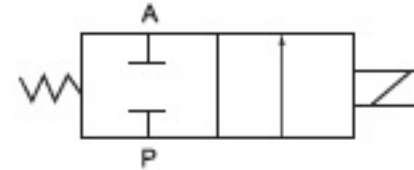


FV series foot valve

Symbol :

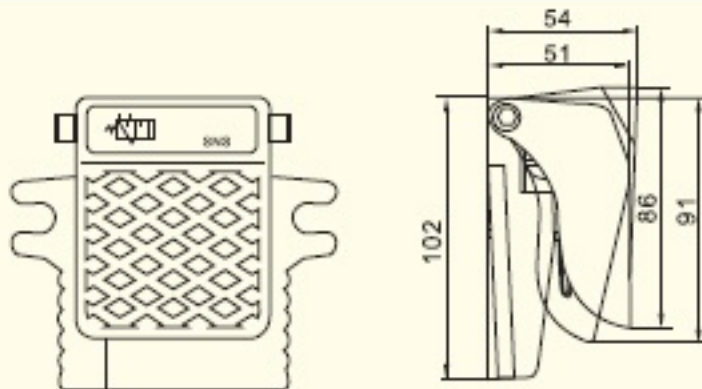


FV-02

Reference models

FV	-	02
Model		Port size
		02:1/4 "

Outline dimensions



Technical specifications

Model	FV-02	
Working fluid	Air	
Operating pressure	0~8kgf/cm ²	
Working temperature	0~70℃	
Diameter of assembled pipe	1/4 "	
Hole and gang number	2/3 way	
Weight (kg)		
Material of main parts	Body	Zinc alloy
	Seal ring	NBR