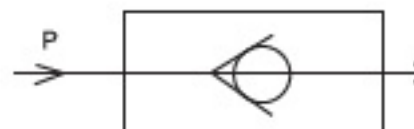




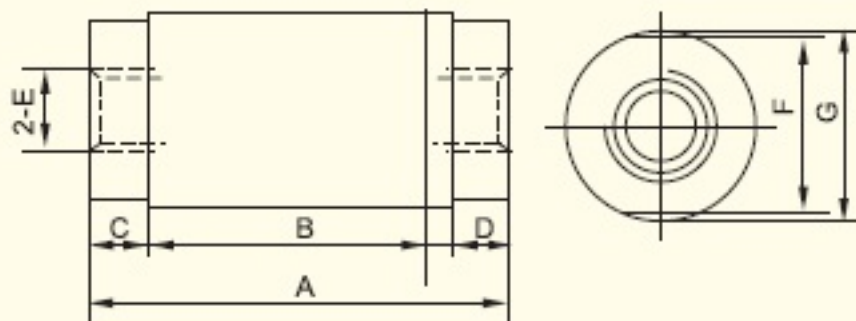
LCV-25

## LCV series one-way valve

Symbol :



### Outline dimensions



Model	A	B	C	D	E	D	E
LCV-06	51.5	41.5	7	7	PT1/8	22	φ 24
LCV-08	51.5	41.5	7	7	PT1/4	22	φ 24
LCV-10	68.5	58.5	8	8	PT3/8	32	φ 35
LCV-15	68.5	58.5	8	8	PT1/2	32	φ 35
LCV-20	95.5	81	8	8	PT3/4	47	φ 50
LCV-25	95.5	81	8	8	PT1	47	φ 50

### Reference models

#### LCV - 06

Series code	Port size
	06:1/8 "
	08:1/4 "
	10:3/8 "
	15:1/2 "
	20:3/4 "
	25:1 "

### Technical specifications

Model	LCV-06	LCV-08	LCV-10	LCV-15	LCV-20	LCV-25
Diameter of assembled pipe	1/8 "	1/4 "	3/8 "	1/2 "	3/4 "	1 "
Working medium	Air					
Operating pressure	0.3~9.5kgf/cm <sup>2</sup>					
Guaranteed withstand pressure	15kgf/cm <sup>2</sup>					
Working temperature	-5~60°C					
Weight (kg)						
Material of main parts	Body	Aluminum				
	Seal ring	NBR				