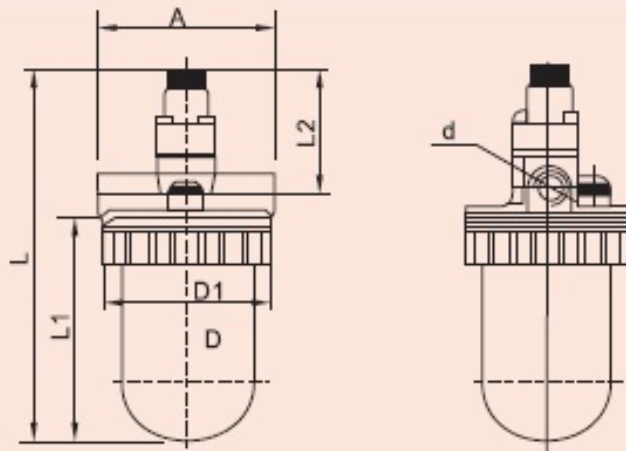




QIU-15

Outline dimensions



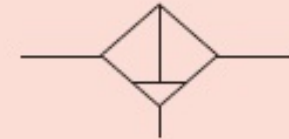
Q series lubricator

Reference model

QIU - 15

Series code	Port size
	08:1/4 "
	10:3/8 "
	15:1/2 "
	20:3/4 "
	25:1 "
	40:1 1/2 "
	50:2 "

Symbol:



Technical specifications

Model	QTY-08	QTY-10	QTY-15	QTY-20	QTY-25	QTY-40	QTY-50
Port size	1/4 "	3/8 "	1/2 "	3/4 "	1 "	1/2 "	2 "
Working medium	Air						
Guaranteed withstand pressure	15.0kgf/cm ²						
Ambient temperature	5-60°C						
Recommended lubricant	Turbine No. 1 oil (ISO VG32)						
Weight (kg)							
Material of main parts	Body	Aluminum alloy					
	Bowl	PC					

Model	Port size	A	D	D1	d	L0	L1	L
QIU-8	1/4 "	90	φ70	φ88	φ13.5	14	69	200
QIU-10	3/8 "	90	φ70	φ88	φ13.5	14	69	200
QIU15	1/2 "	90	φ70	φ88	φ13.5	14	69	200
QIU-20	3/4 "	115	φ90	φ110	φ21	21	74	250
QIU-25	1 "	115	φ90	φ110	φ21	21	74	250
QIU-40	1 1/2 "	132	φ90	φ130	φ32	32	105	205