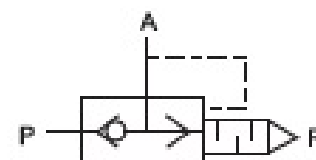




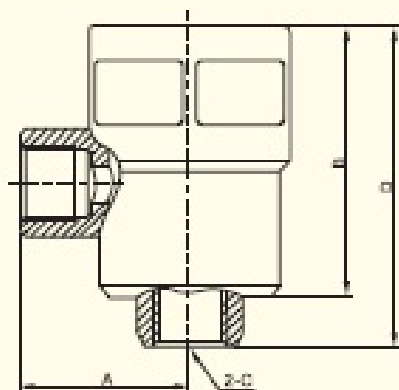
SEU-04

SEU series air quick exhausting valve

Symbol :



Outline dimensions



Model	A	B	C	D
SEU-02	28	33	1/4	42.5
SEU-03	38	60	3/8	71
SEU-04	47.5	77.5	1/2	90.5

Reference models

SEU - 04

Series code

Port size

04:1/2"

Technical specifications

Model	SEU-04	
Port size	1/2"	
Effective sectional cross area (mm ²)	106	
CV value	5.59	
Working medium	Air	
Operating pressure	0.5~8kgf/cm ²	
Guaranteed withstand pressure	15kgf/cm ²	
Working temperature	-5~60℃	
Weight (kg)		
Material of main parts	Body	Aluminum alloy
	Seal ring	NBR