



SH-402

SH series hand valve

Symbol :



Reference models

SH4

Five-hole
two-gang

- **02**

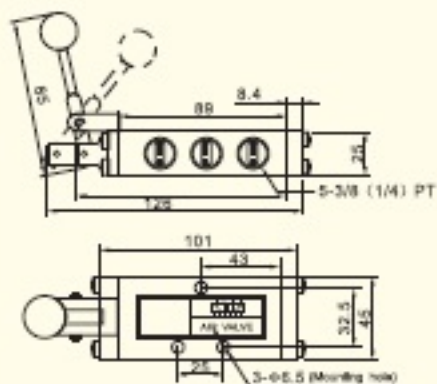
Port size
02: 1/4"
03: 3/8"

A

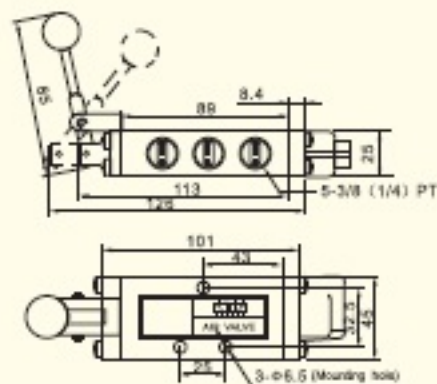
Nil: fixed type
A: Spring resetting type

Outline dimensions

SH-402



SH-402A



Technical specifications

Model	SH-402	SH-402A	SH-403	SH-403A
Working fluid	Air			
Acting mode	Direct acting type			
Port size	1/4"		3/8"	
Operating pressure	0~8.0kgf/cm ²			
Working temperature	0~60℃			
Lubrication oil	Not need			
Operating angle	±15			
Weight (kg)				
Material of main parts	Body	Aluminum alloy		
	Seal ring	NBR		