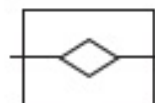




SL-400

SL series lubricator

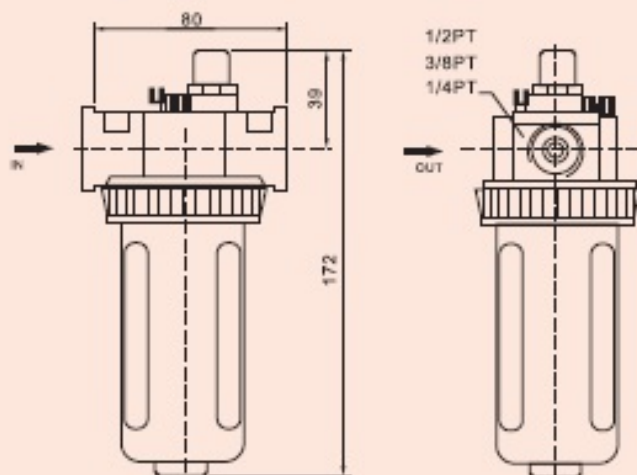
Symbol:



Reference model

SL	-	200
Series code		Port size
		200:1/4 "
		300:3/8 "
		400:1/2 "

Outline dimensions



Technical specifications

Model	SL-200	SL-300	SL-400
Port size	1/4 "	3/8 "	1/2 "
Working medium	Air		
Guaranteed withstand pressure	1.5Mpa		
Maxi adjustable pressure	1.0Mpa		
Ambient temperature	5-60°C		
Recommended lubricant	Turbine No.1 oil (ISO VG 32)		
Material of main parts	Body	Aluminum alloy	
	Bowl	PC	
	Bowl guard	Plastic	