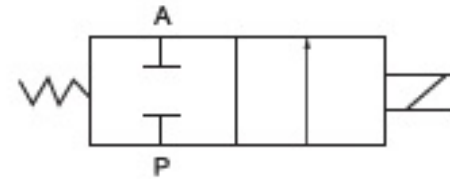


ST series foot valve

Symbol :



ST-402A



ST-402



Reference models

ST

- 402

A

Model

Port size

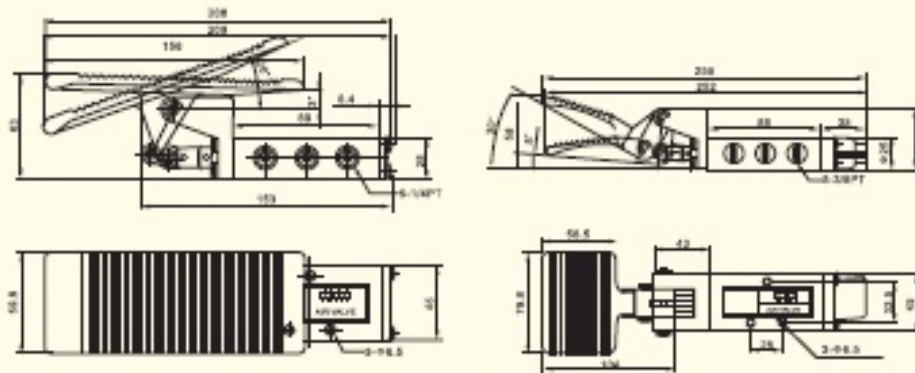
Nil: fixed type

02:1/4 "

A: Spring resetting type

03:3/8 "

Outline dimensions



Technical specifications

Model	ST-402	ST-402A	ST-403	ST-403A
Working fluid	Air			
Acting mode	Direct acting type			
Port size	1/4 "		3/8 "	
Operating pressure	0~8.0kgf/cm ²			
Working temperature	0-60°C			
Lubrication oil	Not need			
Weight (kg)				
Material of main parts	Body	Aluminum alloy		
	Seal ring	NBR		